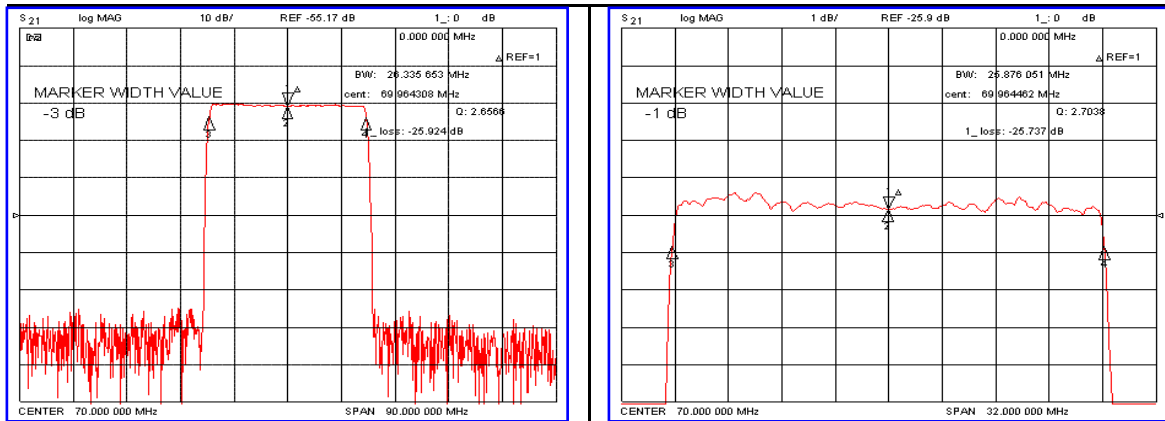


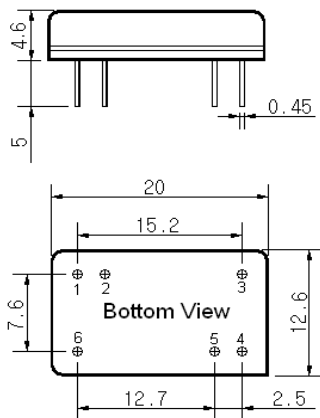
Typical Performance



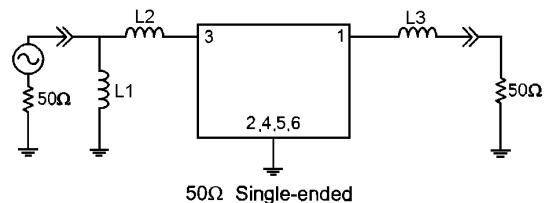
Specification

Parameter	Unit	Min.	Typ.	Max.
Center Frequency (Fc)	MHz	69.92	70.00	70.08
Insertion Loss	dB	-	26.00	27.50
1dB Bandwidth	MHz	-	25.87	-
3dB Bandwidth	MHz	26.00	26.33	-
40dB Bandwidth	MHz	-	28.17	28.40
Passband Ripple)	dB	-	0.7	1.00
Group Delay Variation	nsec	-	50	100
Absolute Delay	μsec	-	1.96	-
Ultimate Attenuation	dB	50	55	-
Substrate Material	-	128-LiNbO ₃		
Temperature Coefficient	ppm/°C	-72		

Package Dimension



Matching Configuration



L1=470nH, L2=220nH, L3=150nH
 Source / Load Impedance = 50Ω
 Ambient Temperature = 25°C

11/10/2006

