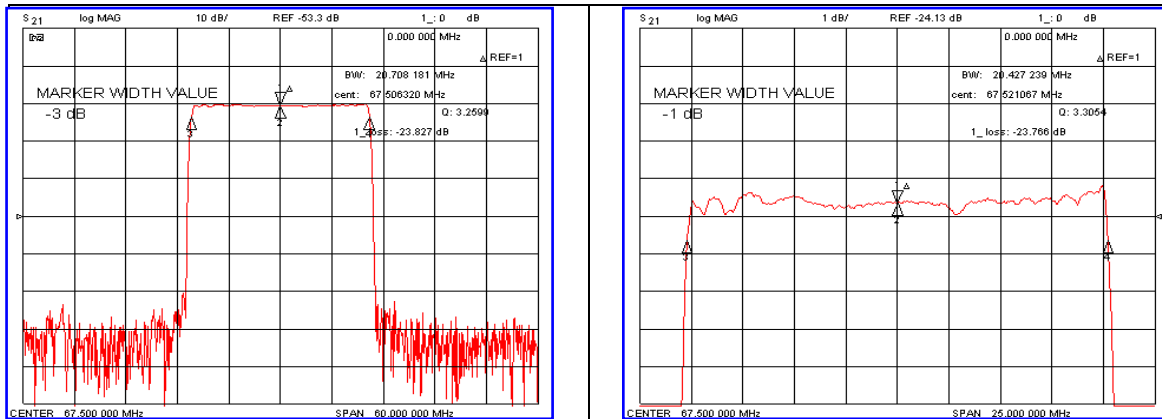


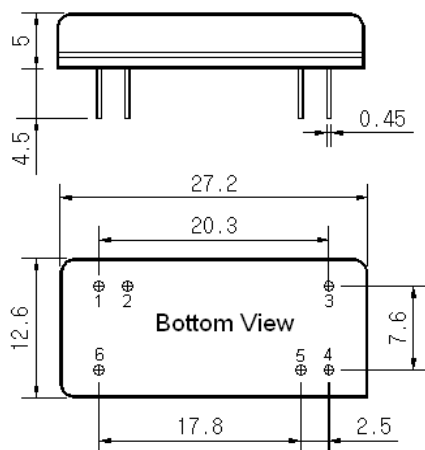
Typical Performance



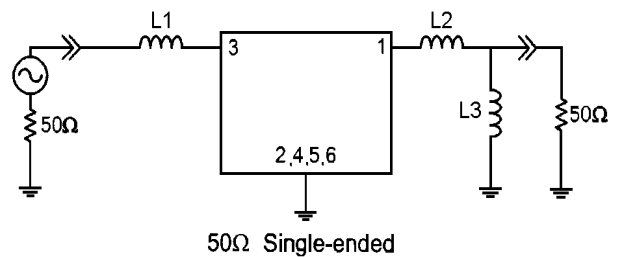
Specification

Parameter	Unit	Min.	Typ.	Max.
Center Frequency	MHz	-	67.50	-
Insertion Loss	dB	-	23.90	25.50
1dB Bandwidth	MHz	20.30	20.42	-
3dB Bandwidth	MHz	-	20.70	-
40dB Bandwidth	MHz	-	21.89	22.00
Passband Ripple( $F_c \pm 10$ MHz)	dB	-	0.77	1.00
Group Delay Variation( $F_c \pm 10$ MHz)	nsec	-	50	100
Absolute Delay	$\mu$ sec	-	2.46	-
Ultimate Attenuation	dB	48	50	-
Substrate Material	-	128-LiNbO <sub>3</sub>		
Temperature Coefficient	ppm/ $^{\circ}$ C	-72		

Package Dimension



Matching Configuration



L1=180nH, L2=120nH, L3=270nH  
Source / Load Impedance = 50Ω  
Ambient Temperature = 25°C

Rev.0 091104

