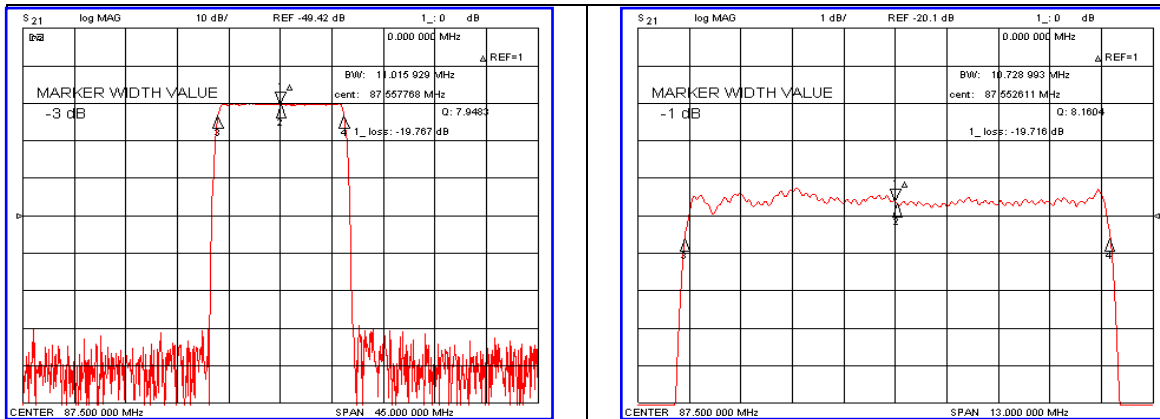


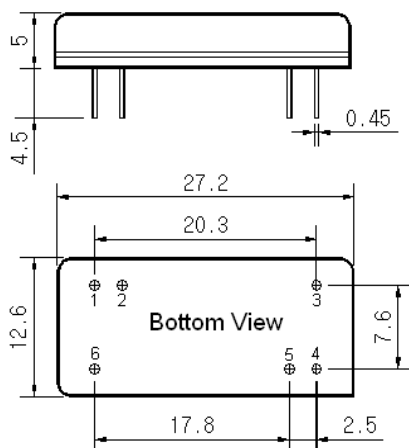
### Typical Performance



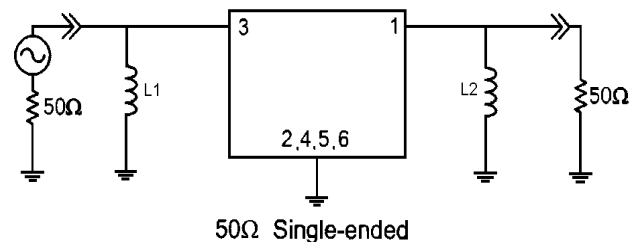
### Specification

Parameter	Unit	Min.	Typ.	Max.
Center Frequency	MHz	-	87.50	-
Insertion Loss	dB	-	20.00	22.00
1dB Bandwidth	MHz	10.60	10.72	-
3dB Bandwidth	MHz	-	11.01	-
40dB Bandwidth	MHz	-	12.25	12.40
Passband Ripple( $F_c \pm 5.0$ MHz)	dB	-	0.68	1.00
Group Delay Variation( $F_c \pm 5.0$ MHz)	nsec	-	80	150
Absolute Delay	$\mu$ sec	-	2.45	-
Ultimate Attenuation	dB	50	55	-
Substrate Material	-	128-LiNbO <sub>3</sub>		
Temperature Coefficient	ppm/ $^{\circ}$ C	-72		

### Package Dimension



### Matching Configuration



L1=470nH L2=470nH  
 Source / Load Impedance = 50 $\Omega$   
 Ambient Temperature = 25 $^{\circ}$ C

Rev.0 091104

