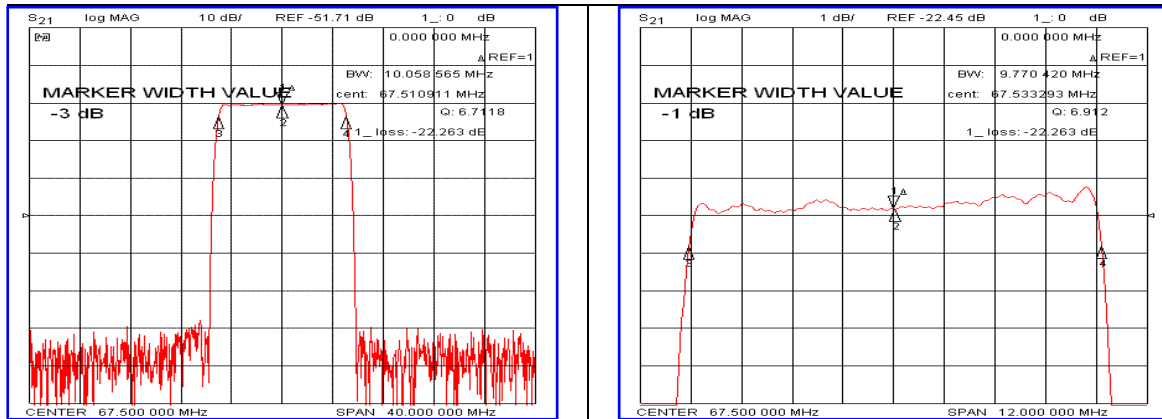


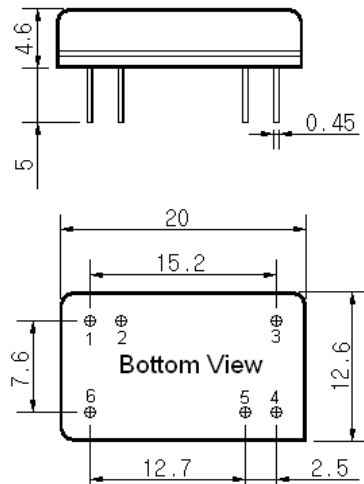
Typical Performance



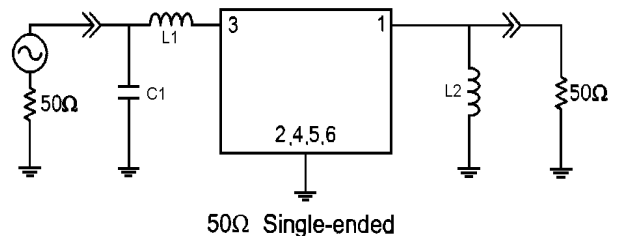
Specification

Parameter	Unit	Min.	Typ.	Max.
Center Frequency	MHz	-	67.50	-
Insertion Loss	dB	-	22.50	25.00
1dB Bandwidth	MHz	9.65	9.77	-
15dB Bandwidth	MHz	-	10.77	-
40dB Bandwidth	MHz	-	11.38	11.50
Passband Ripple(Fc ± 4.5MHz)	dB	-	0.68	1.00
Group Delay Variation(Fc ± 4.5MHz)	nsec	-	50	100
Absolute Delay	µsec	-	2.27	-
Ultimate Attenuation	dB	50	55	-
Substrate Material	-	128-LiNbO ₃		
Temperature Coefficient	ppm/°C	-72		

Package Dimension



Matching Configuration



L1=33nH, L2=270nH, C1=27pF
 Source / Load Impedance = 50Ω
 Ambient Temperature = 25°C

Rev0. 100811

