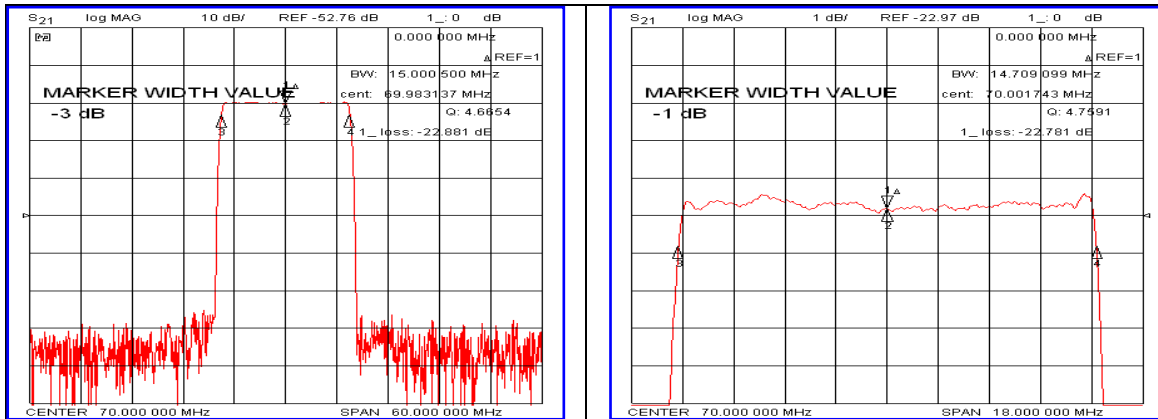


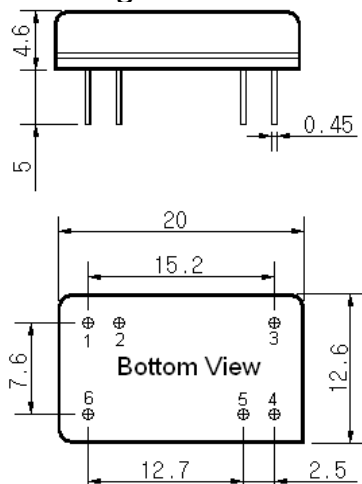
Typical Performance



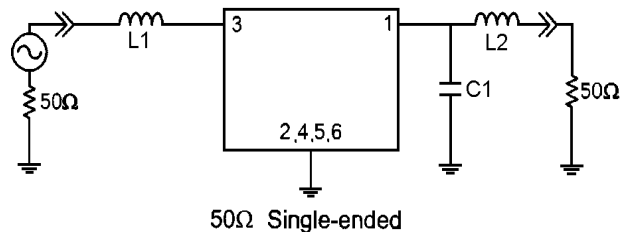
Specification

Parameter	Unit	Min.	Typ.	Max.
Center Frequency	MHz	-	70.00	-
Insertion Loss	dB	-	23.00	25.00
1dB Bandwidth	MHz	14.55	14.70	-
15dB Bandwidth	MHz	-	15.73	-
40dB Bandwidth	MHz	-	16.33	16.45
Passband Ripple($F_c \pm 7\text{MHz}$)	dB	-	0.60	1.00
Group Delay Variation($F_c \pm 7\text{MHz}$)	nsec	-	50	100
Absolute Delay	μsec	-	2.25	-
Ultimate Attenuation	dB	50	55	-
Substrate Material	-	128-LiNbO ₃		
Temperature Coefficient	ppm/ $^{\circ}\text{C}$	-72		

Package Dimension



Matching Configuration



L1=120nH, L2=82nH, C1=14pF
 Source / Load Impedance = 50Ω
 Ambient Temperature = 25°C

Rev0. 100811

