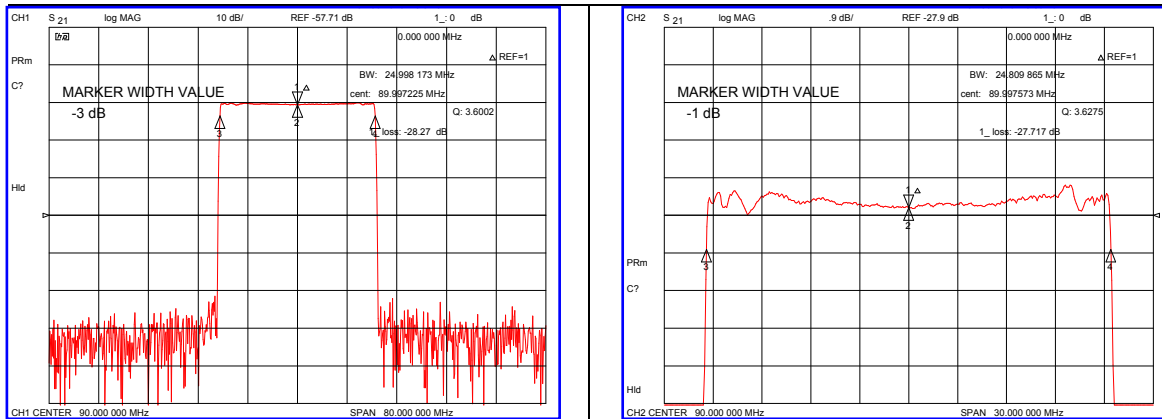


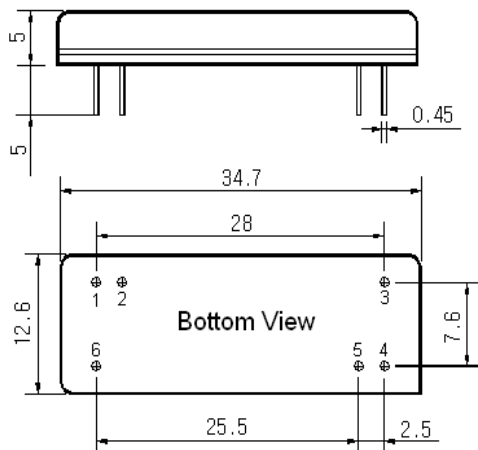
Typical Performance



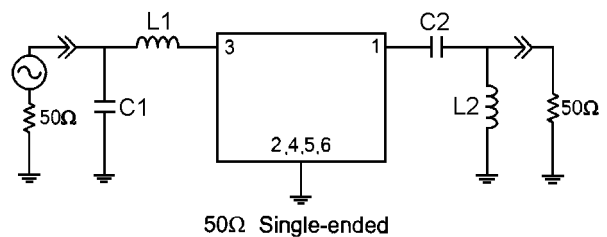
Specification

Parameter	Unit	Min.	Typ.	Max.
Center Frequency	MHz	89.94	90.00	90.06
Insertion Loss	dB	-	28.30	30.50
1dB Bandwidth	MHz	24.70	24.80	-
40dB Bandwidth	MHz	-	25.80	-
Attenuation				
$\Delta F_c \pm 12.4 \text{MHz} \pm 400 \text{KHz}$	dB	15	20	-
$\Delta F_c \pm 12.4 \text{MHz} \pm 600 \text{KHz}$	dB	40	50	-
$\Delta F_c \pm 12.4 \text{MHz} \pm 1.00 \text{MHz}$	dB	45	52	-
Passband Ripple	dB	-	0.75	1.20
Group Delay Variation	nsec	-	60	120
Absolute Delay	usec	-	3.55	-
Temperature Coefficient	ppm/ $^{\circ}\text{C}$		-72	

Package Dimension



Matching Configuration



L1=120nH, L2=82nH, C1=24pF, C2=300pF
 Source / Load Impedance = 50Ω
 Ambient Temperature = 25°C

Rev.0 121205

