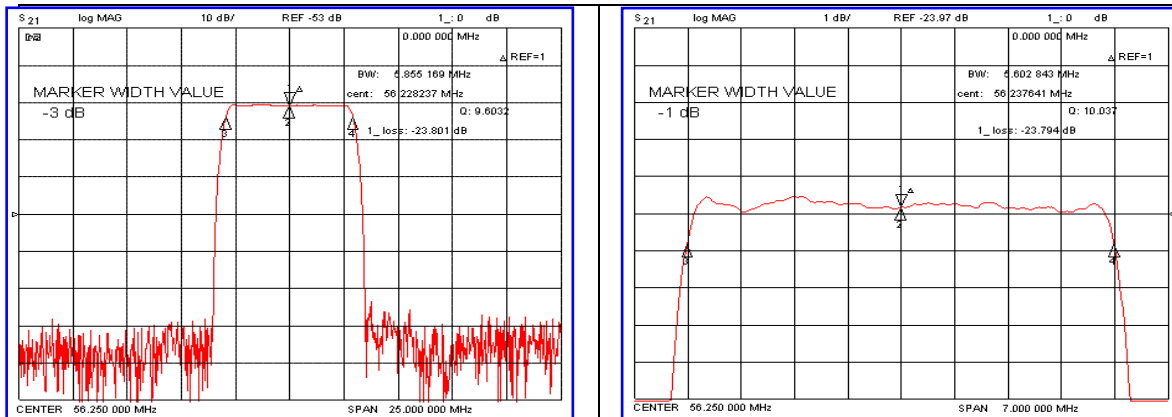


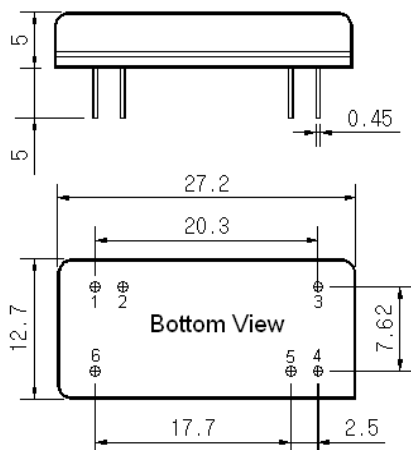
### Typical Performance



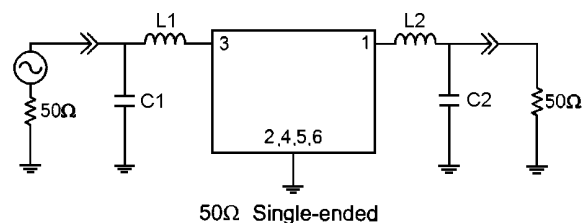
### Specification

Parameter	Unit	Min.	Typ.	Max.
Center Frequency	Mhz	56.17	56.25	56.33
Insertion Loss	dB	-	23.80	25.00
1dB Bandwidth	Mhz	5.50	5.60	-
3dB Bandwidth	Mhz	-	5.85	-
40dB Bandwidth	Mhz	-	6.90	7.00
Passband Ripple	dB	-	0.50	1.00
Group Delay Variation	nsec	-	70	120
Absolute Delay	µsec	-	2.78	-
Ultimate Attenuation	dB	50	55	-
Substrate Material	-	128-LN		
Temperature Coefficient	ppm/°C	-72		

### Package Dimension



### Matching Configuration



L1=L2=39nH, C1=C2=24pF  
 Source / Load Impedance = 50Ω  
 Ambient Temperature = 25°C

Rev 0. 070411

