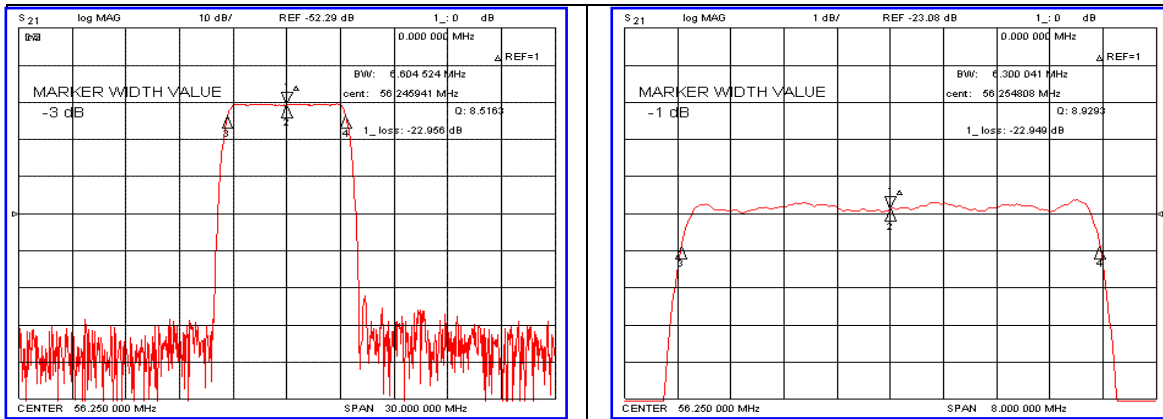


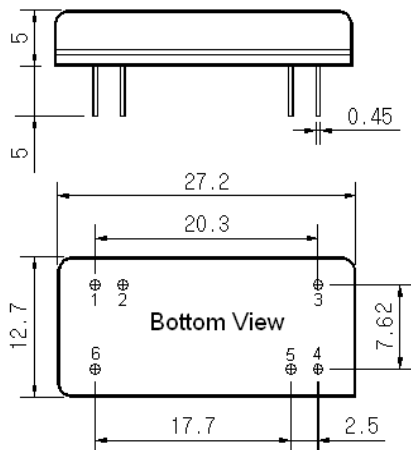
Typical Performance



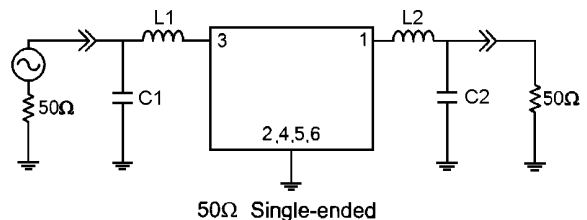
Specification

Parameter	Unit	Min.	Typ.	Max.
Center Frequency	Mhz	56.17	56.25	56.33
Insertion Loss	dB	-	23.00	25.00
1dB Bandwidth	Mhz	6.20	6.30	-
3dB Bandwidth	Mhz	-	6.60	-
40dB Bandwidth	Mhz	-	7.90	8.00
Passband Ripple	dB	-	0.50	1.00
Group Delay Variation	nsec	-	50	100
Absolute Delay	µsec	-	2.36	-
Ultimate Attenuation	dB	50	55	-
Substrate Material	-	128-LN		
Temperature Coefficient	ppm/°C	-72		

Package Dimension



Matching Configuration



L1=L2=39nH, C1=C2=24pF
 Source / Load Impedance = 50Ω
 Ambient Temperature = 25°C

Rev 0. 070411

