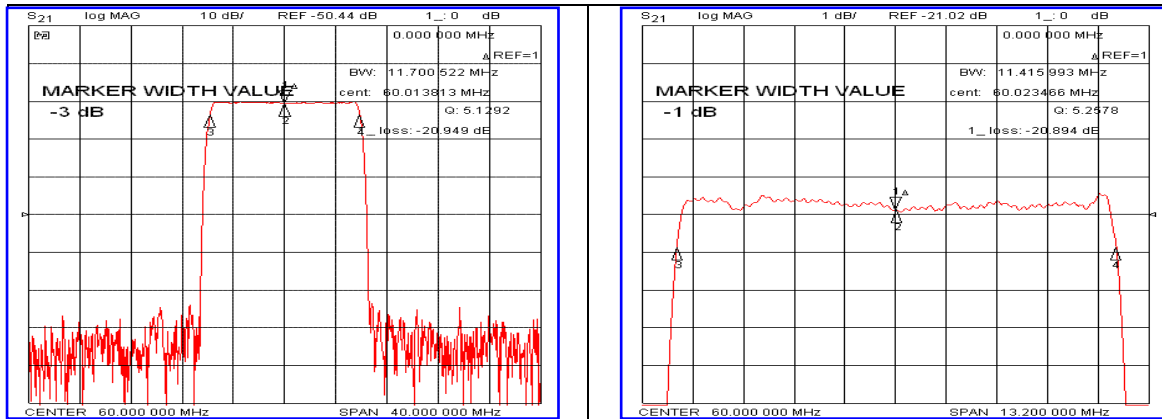


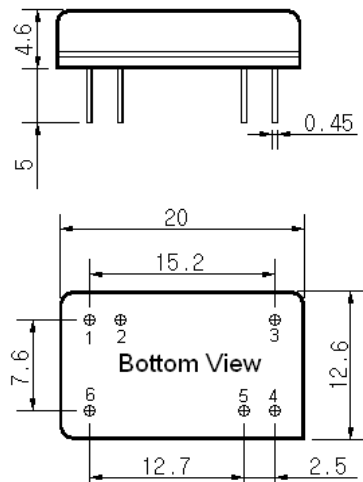
### Typical Performance



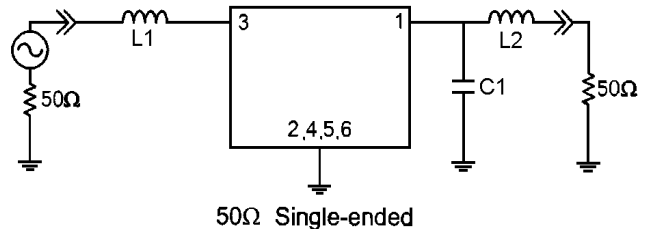
### Specification

Parameter	Unit	Min.	Typ.	Max.
Center Frequency	MHz	59.92	60.00	60.08
Insertion Loss	dB	-	21.00	23.00
1dB Bandwidth	MHz	11.30	11.41	-
3dB Bandwidth	MHz	-	11.70	-
40dB Bandwidth	MHz	-	12.98	13.10
Passband Ripple	dB	-	0.55	1.00
Group Delay Variation	nsec	-	50	100
Absolute Delay	µsec	-	2.29	-
Ultimate Attenuation	dB	48	52	-
Substrate Material	-	128-LiNbO <sub>3</sub>		
Temperature Coefficient	ppm/°C	-72		

### Package Dimension



### Matching Configuration



L1=180nH, L2=150nH, C1=10pF  
 Source / Load Impedance = 50Ω  
 Ambient Temperature = 25°C

Rev0. 101104

