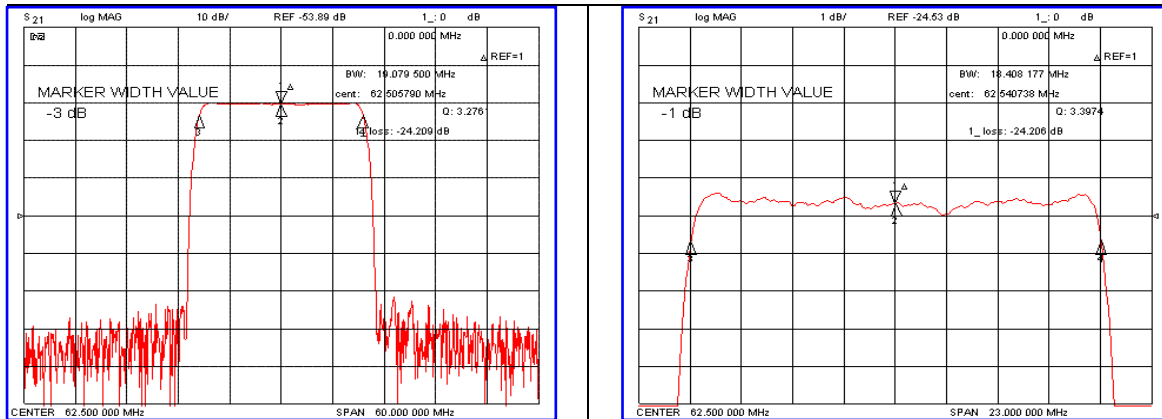


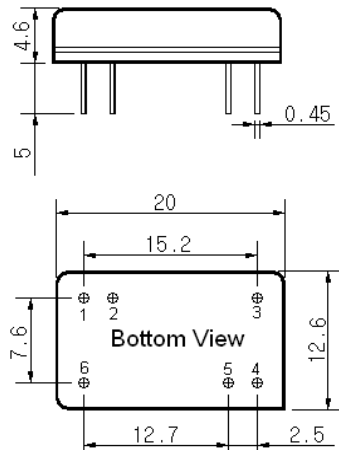
Typical Performance



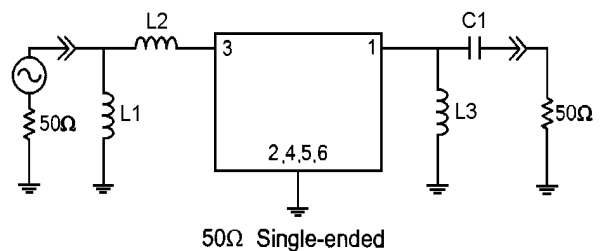
Specification

Parameter	Unit	Min.	Typ.	Max.
Center Frequency	MHz	62.42	62.50	62.58
Insertion Loss	dB	-	24.50	26.00
1dB Bandwidth	MHz	18.30	18.40	-
10dB Bandwidth	MHz	-	20.15	-
20dB Bandwidth	MHz	-	20.95	-
45dB Bandwidth	MHz	-	21.90	22.00
Passband Ripple	dB	-	0.45	1.00
Group Delay Variation	nsec	-	30	50
Absolute Delay	μsec	-	1.43	-
Ultimate Attenuation	dB	50	53	-
Substrate Material	-	128- LiNbO ₃		
Temperature Coefficient	ppm/°C	-72		

Package Dimension



Matching Configuration



L1=270nH, L2=180nH, L3=180nH, C1=47pF
 Source / Load Impedance = 50Ω
 Ambient Temperature = 25°C

Rev0. 100503

