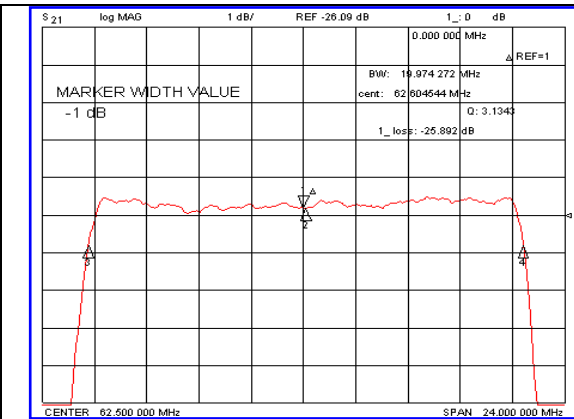
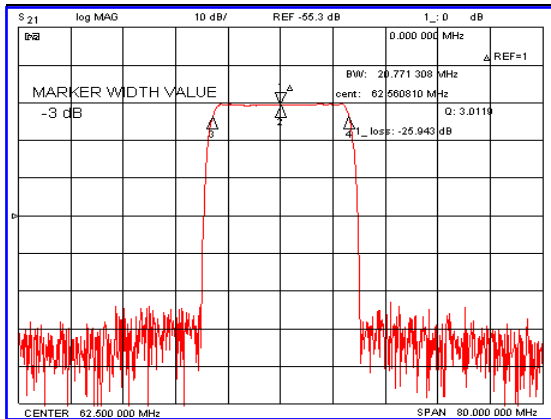


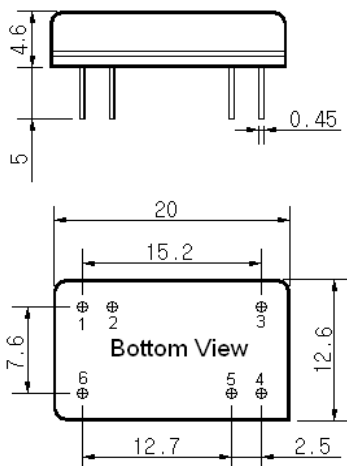
Typical Performance



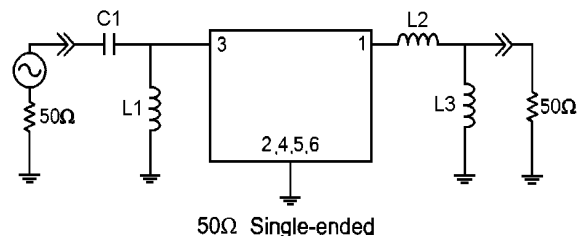
Specification

Parameter	Unit	Min.	Typ.	Max.
Center Frequency	MHz	-	62.50	-
Insertion Loss	dB	-	25.94	27.00
1dB Bandwidth	MHz	-	19.97	-
3dB Bandwidth	MHz	20.50	20.77	-
50dB Bandwidth	MHz	-	24.10	24.50
Passband Ripple(Fc±9.22MHz)	dB	-	0.45	1.00
Group Delay Variation	nsec	-	20	50
Absolute Delay	µsec	-	1.56	-
Ultimate Attenuation	dB	50	53	-
Substrate Material	-	128-LiNbO ₃		
Temperature Coefficient	ppm/°C	-72		

Package Dimension



Matching Configuration



L1=220nH, L2=270nH, L3=390nH, C1=47pF
 Source / Load Impedance = 50Ω
 Ambient Temperature = 25°C

Rev0. 071123

