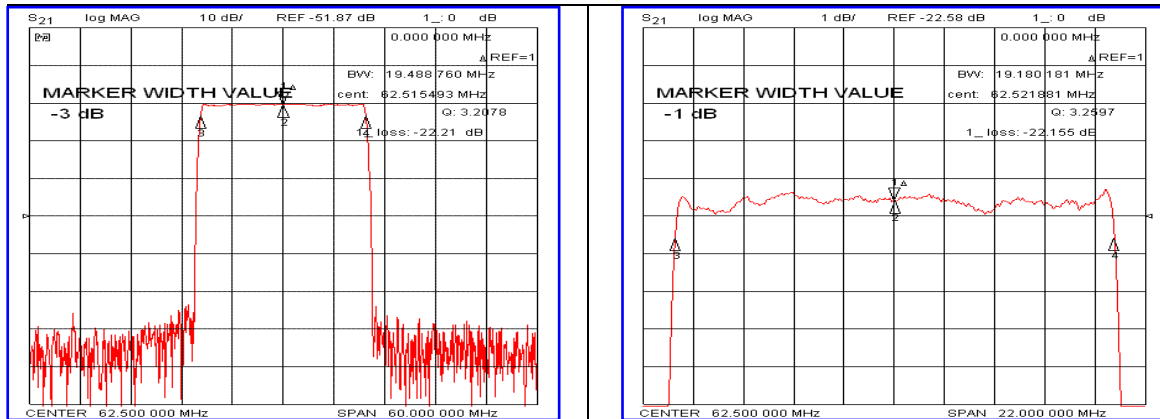


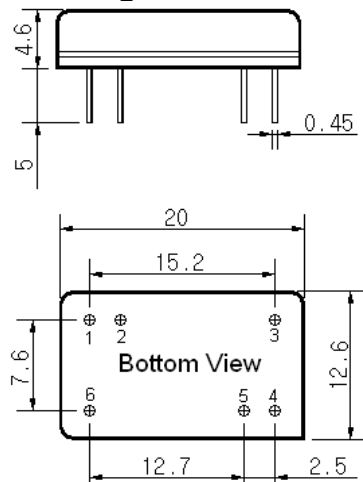
Typical Performance



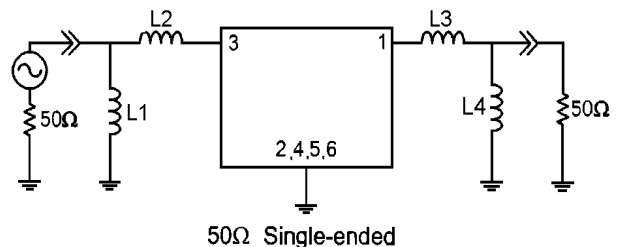
Specification

Parameter	Unit	Min.	Typ.	Max.
Center Frequency	MHz	-	62.50	-
Insertion Loss	dB	-	22.20	24.50
1dB Bandwidth	MHz	19.00	19.18	-
3dB Bandwidth	MHz	-	19.48	-
40dB Bandwidth	MHz	-	20.82	21.00
Passband Ripple($F_c \pm 9.22$ MHz)	dB	-	0.65	1.00
Group Delay Variation($F_c \pm 9.22$ MHz)	nsec	-	40	80
Absolute Delay	μ sec	-	2.33	-
Ultimate Attenuation	dB	50	55	-
Substrate Material	-	128- LiNbO ₃		
Temperature Coefficient	ppm/ $^{\circ}$ C	-72		

Package Dimension



Matching Configuration



L1=270nH, L2=150nH, L3=180nH, L4=270nH
 Source / Load Impedance = 50 Ω
 Ambient Temperature = 25 $^{\circ}$ C

Rev0. 100723

