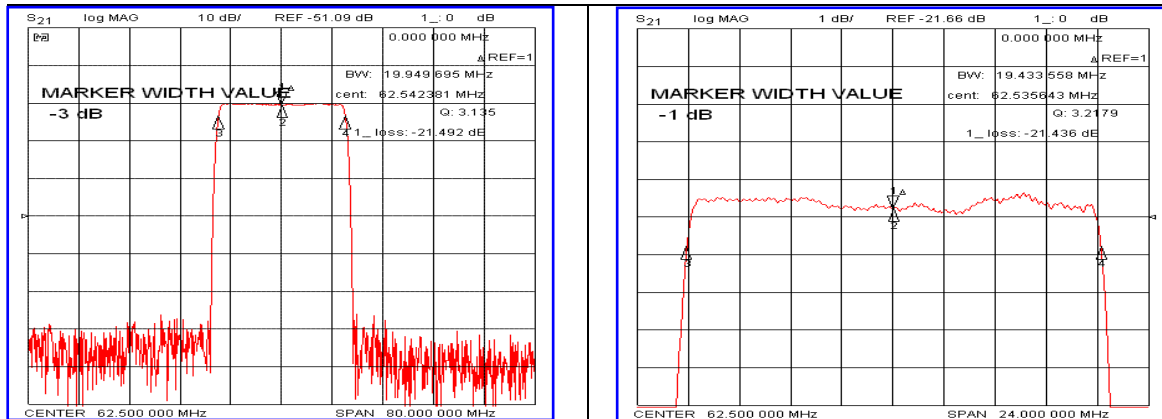


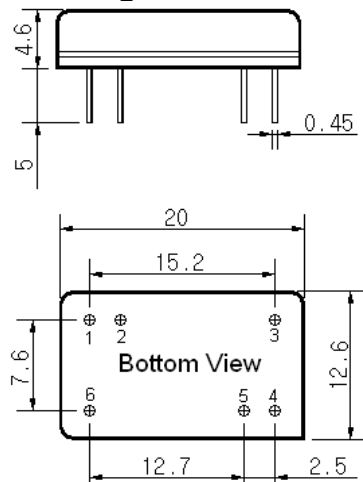
Typical Performance



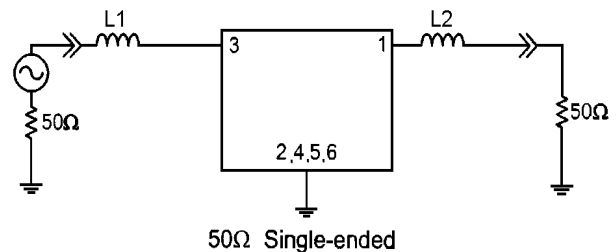
Specification

| Parameter | Unit | Min. | Typ. | Max. |
|--|-------------------|-------------------------|-------|-------|
| Center Frequency | MHz | - | 62.50 | - |
| Insertion Loss | dB | - | 21.50 | 23.50 |
| 1dB Bandwidth | MHz | 19.30 | 19.43 | - |
| 3dB Bandwidth | MHz | - | 19.94 | - |
| 40dB Bandwidth | MHz | - | 22.06 | 22.20 |
| Passband Ripple($F_c \pm 9.22$ MHz) | dB | - | 0.55 | 1.00 |
| Group Delay Variation($F_c \pm 9.22$ MHz) | nsec | - | 30 | 50 |
| Absolute Delay | μ sec | - | 1.68 | - |
| Ultimate Attenuation | dB | 50 | 55 | - |
| Substrate Material | - | 128- LiNbO ₃ | | |
| Temperature Coefficient | ppm/ $^{\circ}$ C | -72 | | |

Package Dimension



Matching Configuration



L1=270nH, L2=270nH
Source / Load Impedance = 50 Ω
Ambient Temperature = 25 $^{\circ}$ C

Rev0. 100730

