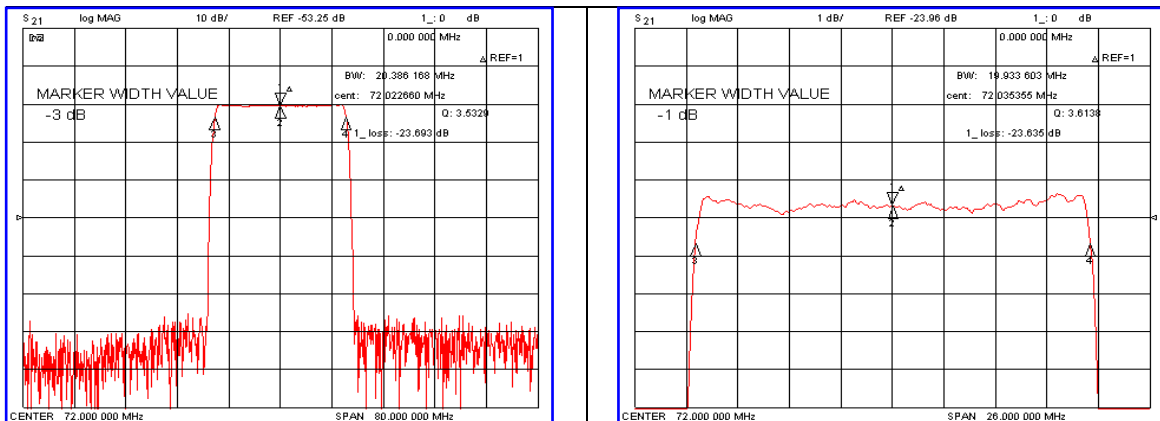


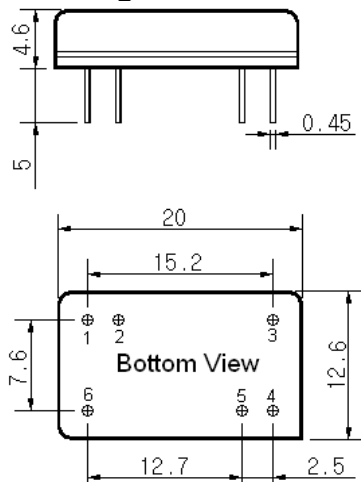
Typical Performance



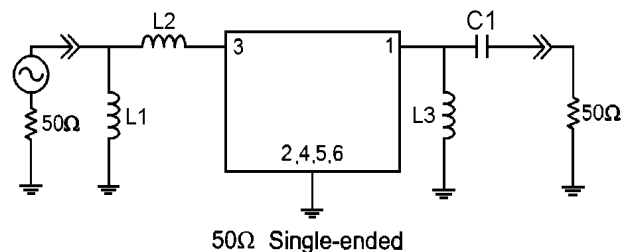
Specification

Parameter	Unit	Min.	Typ.	Max.
Center Frequency	MHz	71.92	72.00	72.08
Insertion Loss	dB	-	23.80	25.00
1dB Bandwidth	MHz	-	19.93	-
3dB Bandwidth	MHz	20.00	20.38	-
50dB Bandwidth	MHz	-	22.60	22.80
Passband Ripple($F_c \pm 9.32$ MHz)	dB	-	0.55	1.00
Group Delay Variation($F_c \pm 9.32$ MHz)	nsec	-	30	50
Absolute Delay	μ sec	-	1.57	-
Ultimate Attenuation	dB	50	55	-
Substrate Material	-	128- LiNbO ₃		
Temperature Coefficient	ppm/°C	-72		

Package Dimension



Matching Configuration



L1=220nH, L2=180nH, L3=100nH, C1=68pF
 Source / Load Impedance = 50Ω
 Ambient Temperature = 25°C

Rev0. 091127

