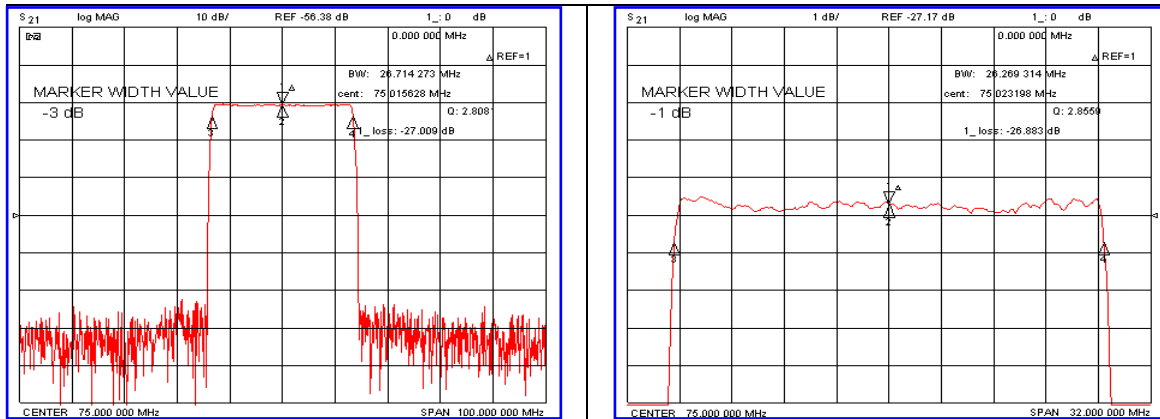


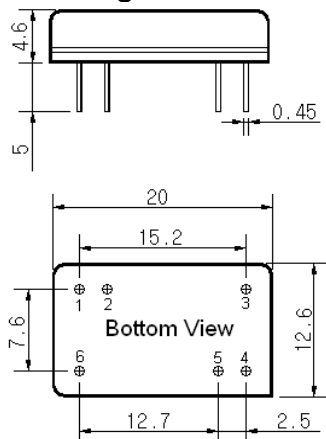
## Typical Performance



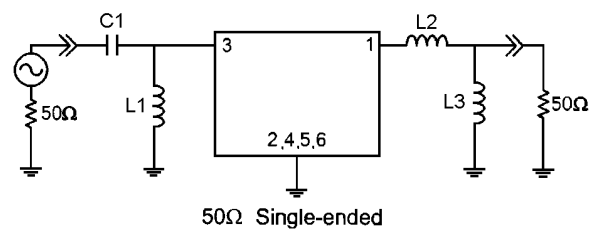
## Specification

Parameter	Unit	Min.	Typ.	Max.
Center Frequency	MHz	-	75.00	-
Insertion Loss	dB	-	27.00	28.50
1dB Bandwidth	MHz	-	26.26	-
3dB Bandwidth	MHz	26.50	26.71	-
40dB Bandwidth	MHz	-	28.65	-
50dB Bandwidth	MHz	-	28.80	29.00
Passband Ripple( $F_c \pm 12.48$ )	dB	-	0.45	1.00
Group Delay Variation	nsec	-	30	50
Absolute Delay	$\mu$ sec	-	1.79	-
Ultimate Attenuation	dB	50	53	-
Substrate Material	-	128-LiNbO <sub>3</sub>		
Temperature Coefficient	ppm/ $^{\circ}$ C	-72		

## Package Dimension



## Matching Configuration



L1=150nH, L2=180nH, L3=390nH, C1=100pF  
 Source / Load Impedance = 50 $\Omega$   
 Ambient Temperature = 25 $^{\circ}$ C

Rev0. 071123

