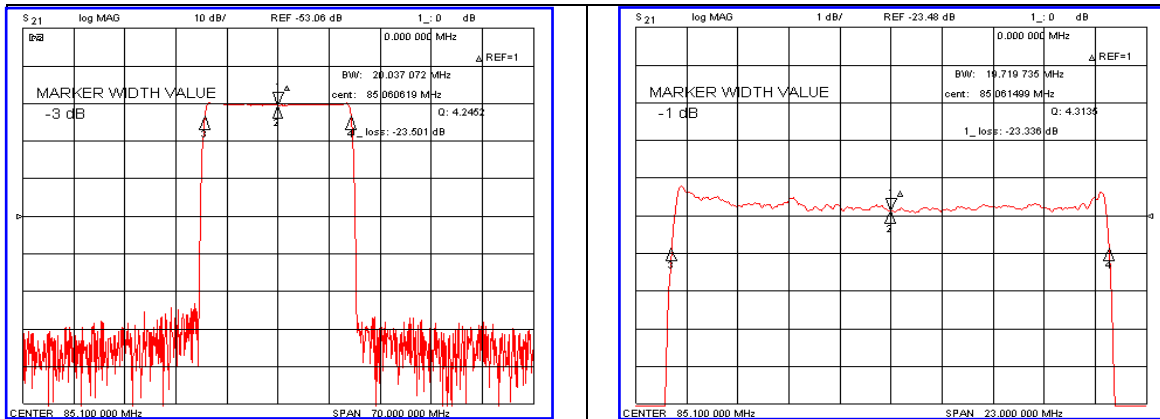


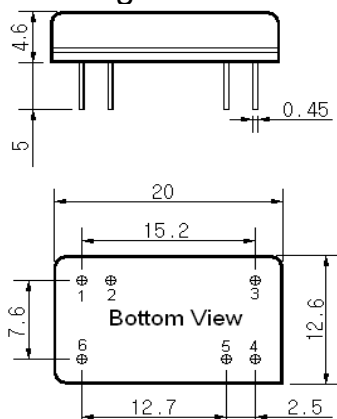
Typical Performance



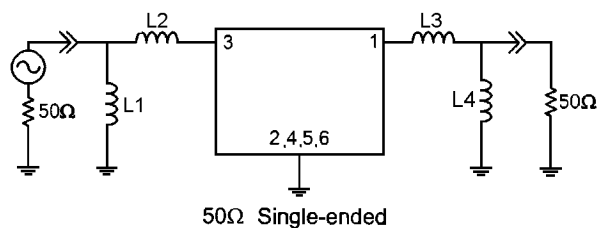
Specification

Parameter	Unit	Min.	Typ.	Max.
Center Frequency	MHz	-	85.10	-
Insertion Loss	dB	-	23.50	25.00
1dB Bandwidth	MHz	19.60	19.71	-
3dB Bandwidth	MHz	-	20.03	-
10dB Bandwidth	MHz	-	20.57	20.65
20dB Bandwidth	MHz	-	20.97	21.05
40dB Bandwidth	MHz	-	21.43	21.55
Passband Ripple($F_c \pm 9.22$ MHz)	dB	-	0.60	1.00
Group Delay Variation($F_c \pm 9.22$ MHz)	nsec	-	40	80
Absolute Delay	μ sec	-	2.18	-
Ultimate Attenuation	dB	50	55	-
Substrate Material	-	128- LiNbO ₃		
Temperature Coefficient	ppm/ $^{\circ}$ C	-72		

Package Dimension



Matching Configuration



L1=68nH, L2=68nH, L3=39nH, L4=56nH
 Source / Load Impedance = 50 Ω
 Ambient Temperature = 25 $^{\circ}$ C

Rev0. 090724

