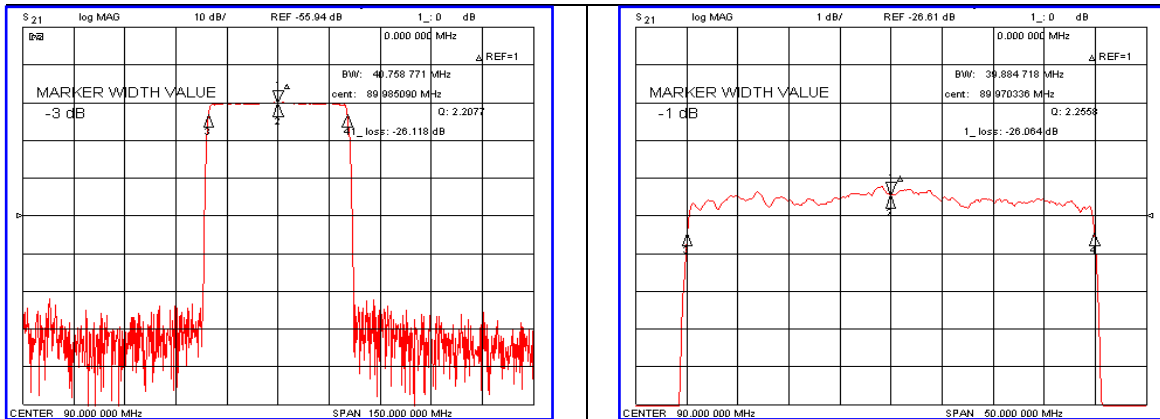


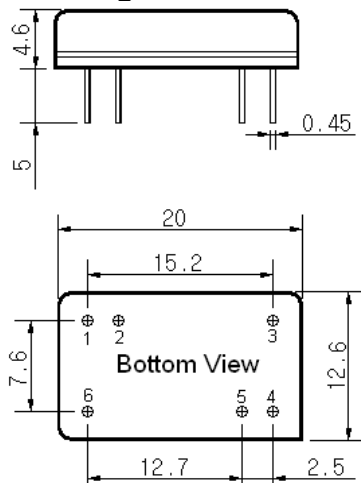
Typical Performance



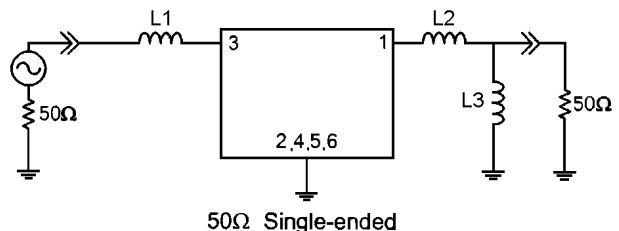
Specification

Parameter	Unit	Min.	Typ.	Max.
Center Frequency	MHz	89.90	90.00	90.10
Insertion Loss	dB	-	26.11	28.00
1dB Bandwidth	MHz	39.70	39.88	-
3dB Bandwidth	MHz	-	40.75	-
40dB Bandwidth	MHz	-	43.87	44.00
Passband Ripple	dB	-	0.69	1.00
Group Delay Variation	nsec	-	20	50
Absolute Delay	µsec	-	1.32	-
Ultimate Attenuation	dB	50	53	-
Substrate Material	-	128-LiNbO ₃		
Temperature Coefficient	ppm/°C	-72		

Package Dimension



Matching Configuration



L1=150nH, L2=120nH, L3=470nH
Source / Load Impedance = 50Ω
Ambient Temperature = 25°C

Rev0. 090803

