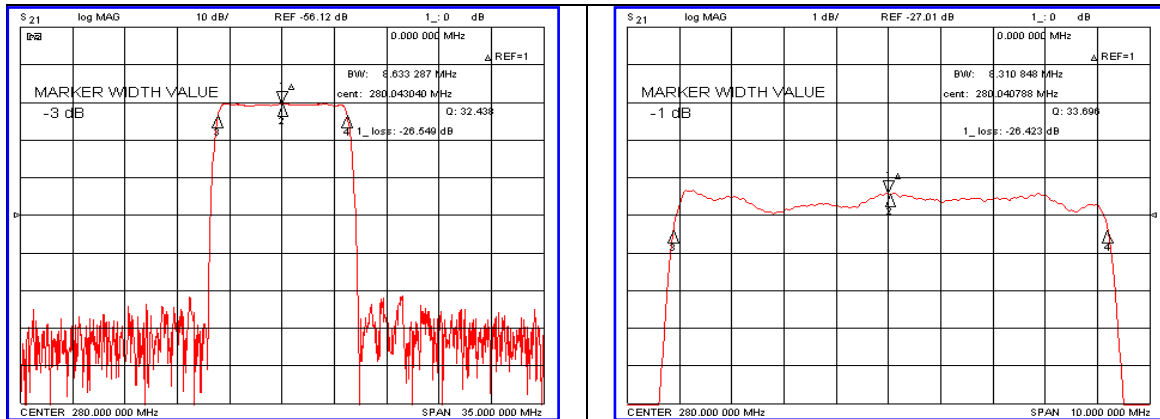


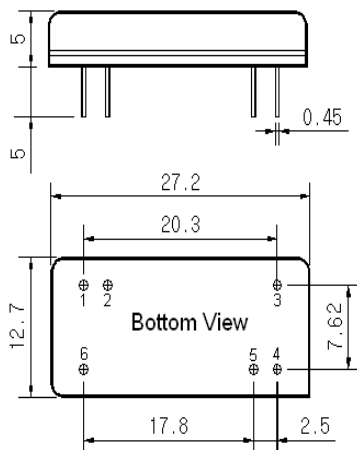
Typical Performance



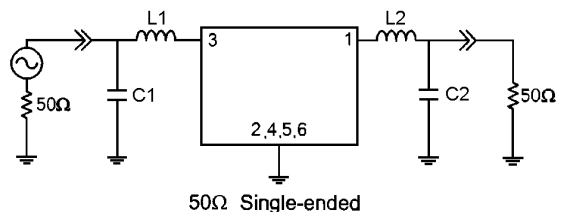
Specification

Parameter	Unit	Min.	Typ.	Max.
Center Frequency	MHz	279.85	280.00	280.15
Insertion Loss	dB	-	26.54	28.00
1dB Bandwidth	MHz	-	8.31	-
3dB Bandwidth	MHz	8.50	8.63	-
40dB Bandwidth	MHz	-	9.84	9.95
Passband Ripple	dB	-	0.61	1.00
Group Delay Variation	nsec	-	60	120
Absolute Delay	μsec	-	3.12	-
Ultimate Attenuation	dB	48	50	-
Substrate Material	-	112-LiTaO ₃		
Temperature Coefficient	ppm/°C ²	-20		

Package Dimension



Matching Configuration



L1=L2=4.7nH, C1=24pF, C2=22pF
 Source / Load Impedance = 50Ω
 Ambient Temperature = 25°C

Rev0. 0700917

