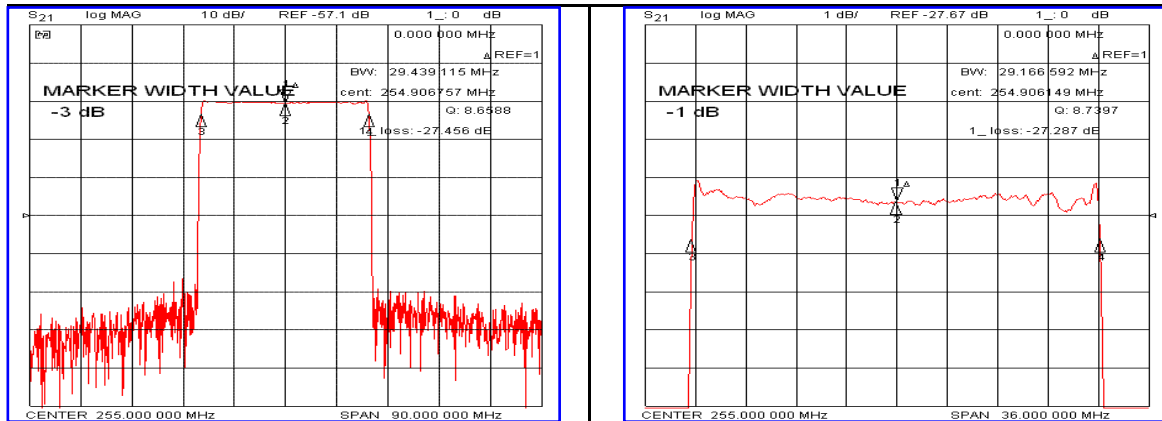


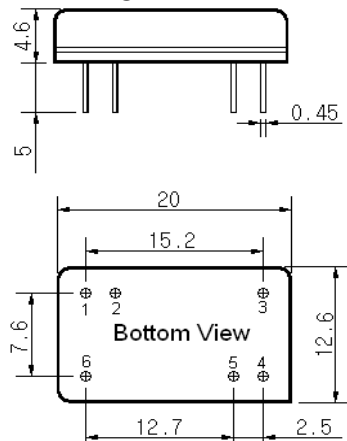
Typical Performance



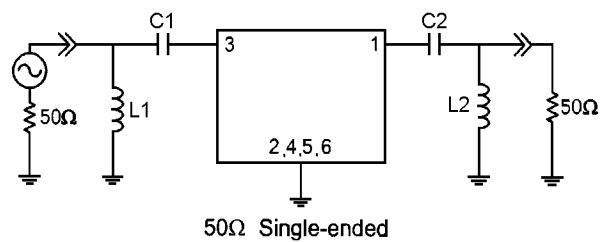
Specification

Parameter	Unit	Min.	Typ.	Max.
Center Frequency	MHz	-	255.00	-
Insertion Loss	dB	-	27.50	29.50
1dB Bandwidth	MHz	29.00	29.16	-
3dB Bandwidth	MHz	-	29.43	-
40dB Bandwidth	MHz	-	30.65	30.85
Passband Ripple($F_c \pm 14.22$ MHz)	dB	-	0.80	1.40
Ultimate Attenuation	dB	40	45	-
Absolute Delay	μ sec	-	2.71	-
Relative Attenuation $F_c \pm 14.22$ M \pm 1.0MHz Point	dB	-	23	-
Substrate Material	-	112-LiTaO ₃		
Temperature Coefficient	ppm/ $^{\circ}$ C	-20		

Package Dimension



Matching Configuration



L1=10nH, L2=8.2nH, C1=300pF, C2=300pF
 Source / Load Impedance = 50 Ω
 Ambient Temperature = 25 $^{\circ}$ C

Rev 2. 120405

