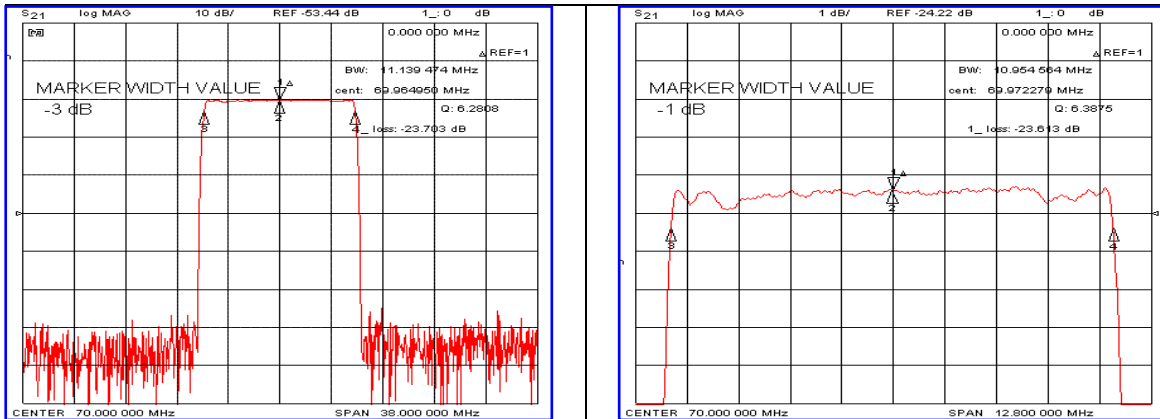


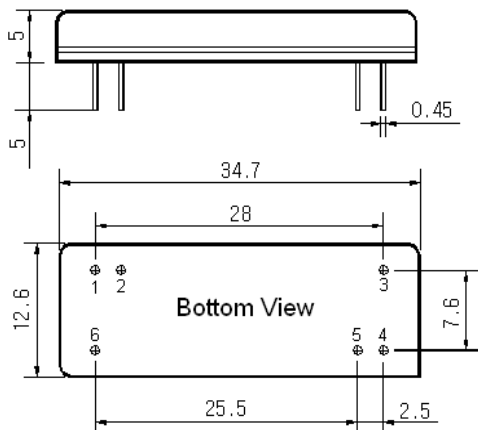
Typical Performance



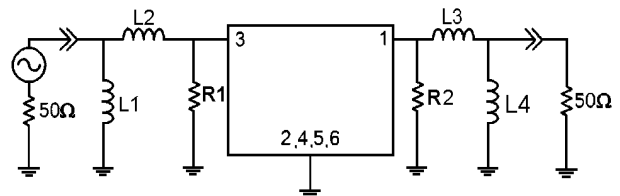
Specification

Parameter	Unit	Min.	Typ.	Max.
Center Frequency	MHz	69.92	70.00	70.08
Insertion Loss	dB	-	23.70	25.50
1dB Bandwidth	MHz	-	10.95	-
3dB Bandwidth	MHz	11.00	11.13	-
40dB Bandwidth	MHz	-	11.90	12.00
Return loss (1dB Bandwidth)	dB	-	6	-
Passband Ripple	dB	-	0.65	1.00
Group Delay Variation	nsec	-	100	200
Absolute Delay	usec	-	3.66	-
Ultimate Attenuation	dB	50	55	-
Substrate Material	-	128-LiNbO ₃		
Temperature Coefficient	ppm/°C	-72		

Package Dimension



Matching Configuration



R1 R2 50Ω Single-ended

L1=220nH, L2=8.2nH, L3=8.2nH, L4=220nH

R1=330Ω, R2=330Ω

Source / Load Impedance = 50Ω

Ambient Temperature = 25°C

Rev.2 100908

