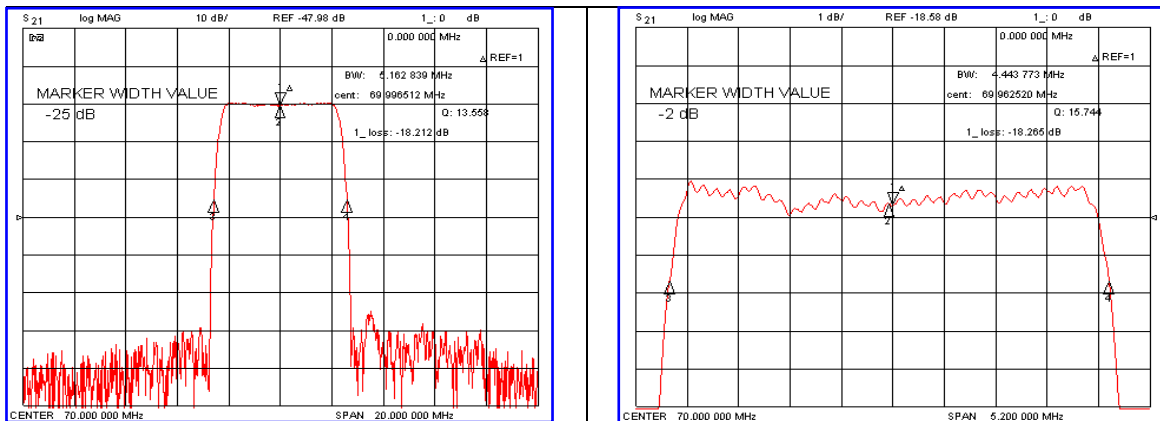


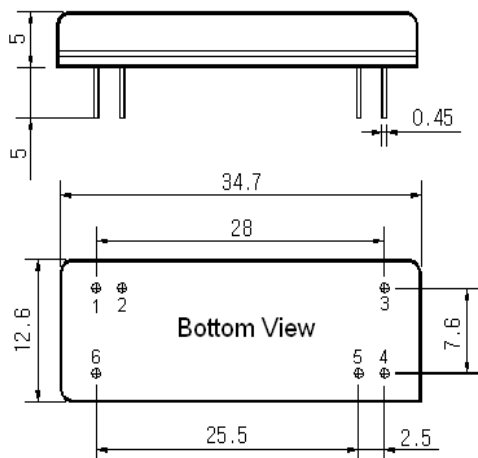
Typical Performance



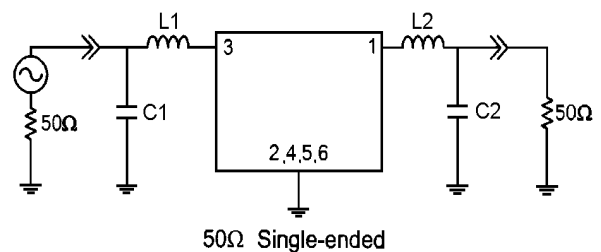
Specification

Parameter	Unit	Min.	Typ.	Max.
Center Frequency	MHz	69.92	70.00	70.08
Insertion Loss	dB	-	18.50	21.00
2dB Bandwidth	MHz	4.35	4.44	-
25dB Bandwidth	MHz	-	5.16	5.25
40dB Bandwidth	MHz	-	5.34	5.45
Passband Ripple	dB	-	0.82	1.10
Group Delay Variation	nsec	-	210	350
Absolute Delay	usec	-	3.74	-
Ultimate Attenuation	dB	50	53	-
Substrate Material	-	YZ-LiNbO ₃		
Temperature Coefficient	ppm/°C	-94		

Package Dimension



Matching Configuration



L1=68nH, L2=12nH, C1=36pF, C2=14pF
 Source / Load Impedance = 50Ω
 Ambient Temperature = 25°C

Rev.0 091127

