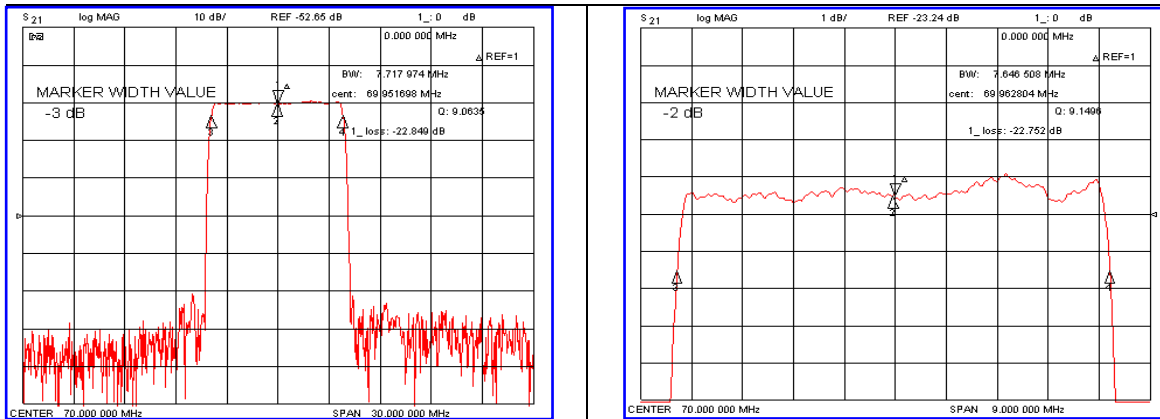


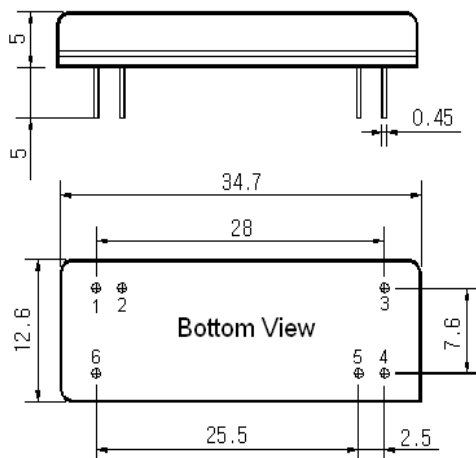
Typical Performance



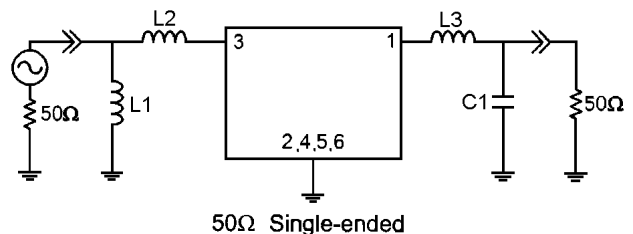
Specification

Parameter	Unit	Min.	Typ.	Max.
Center Frequency	MHz	69.92	70.00	70.08
Insertion Loss	dB	-	22.90	25.00
2dB Bandwidth	MHz	7.55	7.64	-
25dB Bandwidth	MHz	-	8.28	8.38
40dB Bandwidth	MHz	-	8.44	8.55
Passband Ripple	dB	-	0.80	1.00
Group Delay Variation	nsec	-	100	200
Absolute Delay	usec	-	3.79	-
Ultimate Attenuation	dB	48	52	-
Substrate Material	-	YZ-LiNbO ₃		
Temperature Coefficient	ppm/°C	-94		

Package Dimension



Matching Configuration



L1=100nH, L2=47nH, L3=47nH, C1=33pF
 Source / Load Impedance = 50Ω
 Ambient Temperature = 25°C

Rev.0 090722

