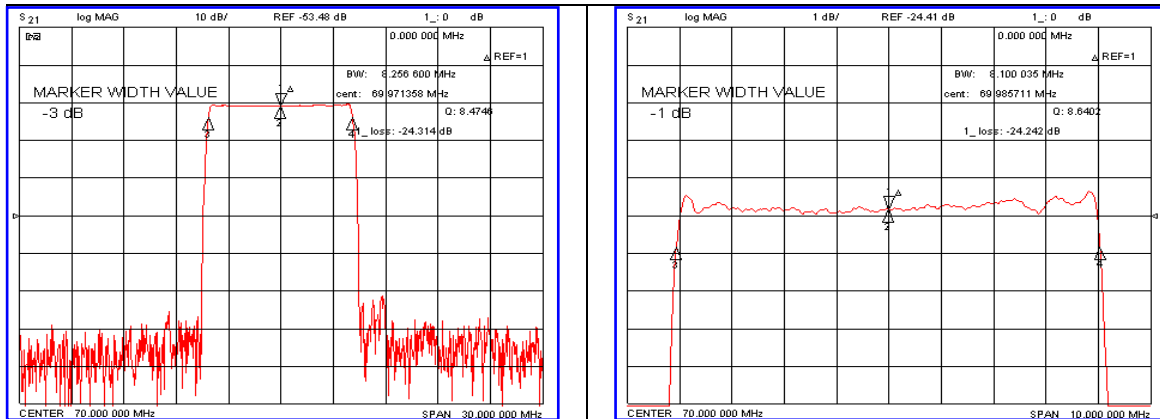


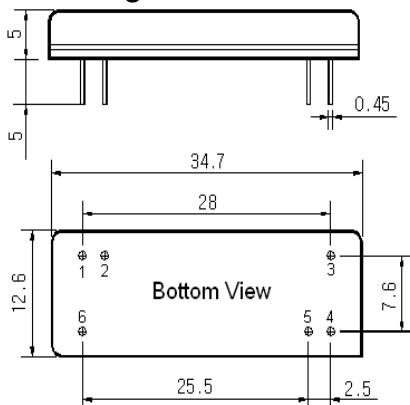
Typical Performance



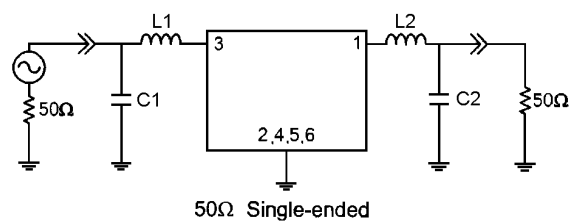
Specification

Parameter	Unit	Min.	Typ.	Max.
Center Frequency	MHz	69.92	70.00	70.08
Insertion Loss	dB	-	24.31	26.00
1dB Bandwidth	MHz	8.00	8.10	-
3dB Bandwidth	MHz	-	8.25	-
25dB Bandwidth	MHz	-	8.80	-
40dB Bandwidth	MHz	-	8.95	9.05
Passband Ripple	dB	-	0.65	1.00
Group Delay Variation	nsec	-	100	200
Absolute Delay	μsec	-	3.88	-
Ultimate Attenuation At 4.5MHz away from ΔFc	dB	25	37	-
Substrate Material	-	128-LiNbO ₃		
Temperature Coefficient	ppm/°C	-72		

Package Dimension



Matching Configuration



L1= L2=33nH, C1=C2=30pF
 Source / Load Impedance = 50Ω
 Ambient Temperature = 25°C

Rev0. 070829

