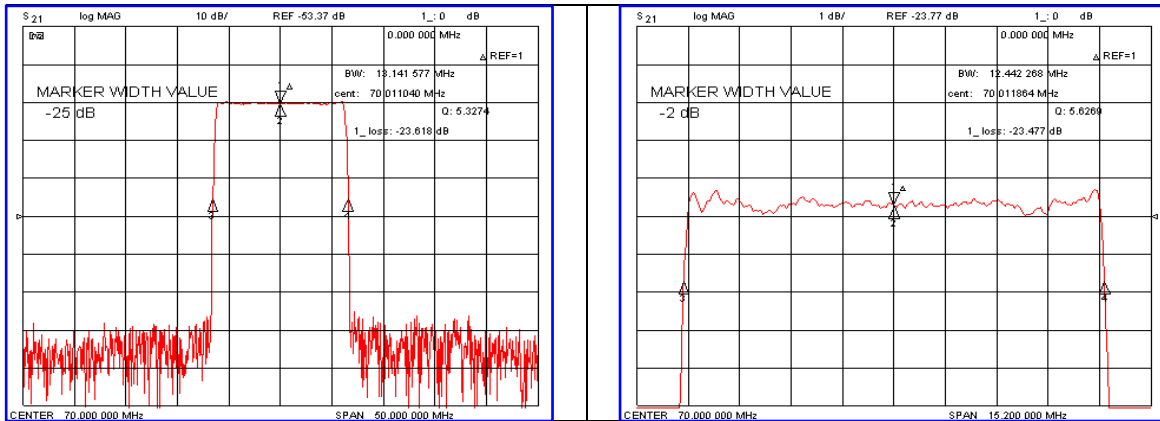


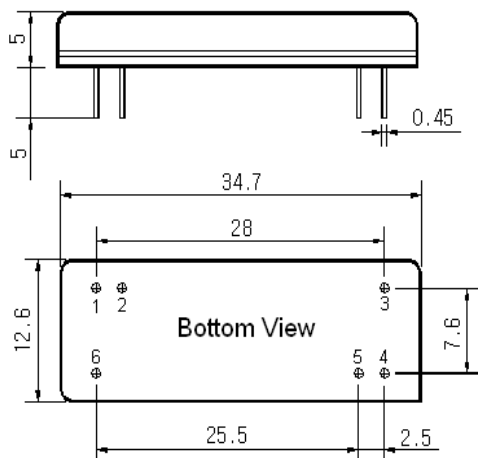
Typical Performance



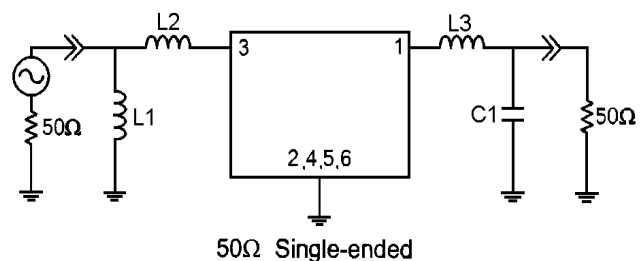
Specification

Parameter	Unit	Min.	Typ.	Max.
Center Frequency	MHz	69.92	70.00	70.08
Insertion Loss	dB	-	23.80	25.00
2dB Bandwidth	MHz	12.36	12.44	-
25dB Bandwidth	MHz	-	13.14	13.25
40dB Bandwidth	MHz	-	13.30	13.40
Passband Ripple	dB	-	0.70	1.00-
Group Delay Variation	nsec	-	100	200
Absolute Delay	usec	-	3.55	-
Ultimate Attenuation	dB	50	55	-
Substrate Material	-	128-LiNbO ₃		
Temperature Coefficient	ppm/°C	-72		

Package Dimension



Matching Configuration



L1=180nH, L2=68nH, L3=47nH C1=30pF
 Source / Load Impedance = 50Ω
 Ambient Temperature = 25°C

Rev.0 091127

