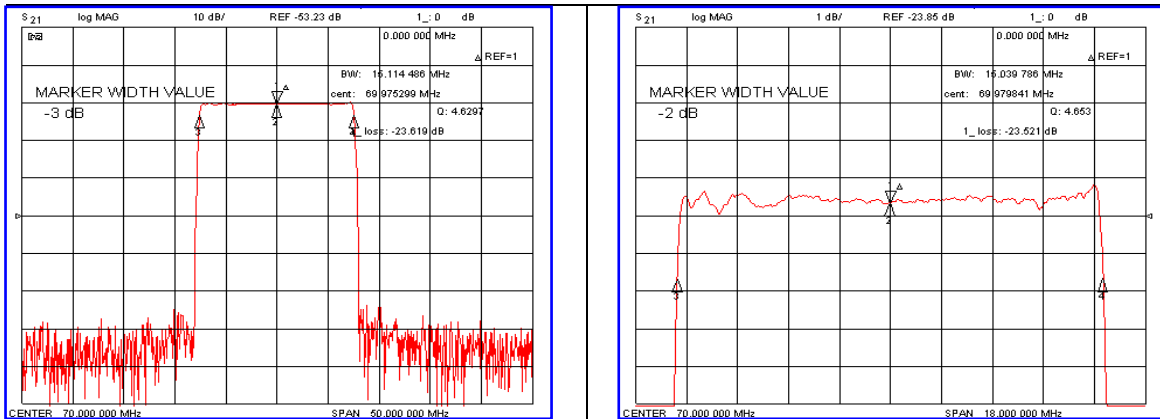


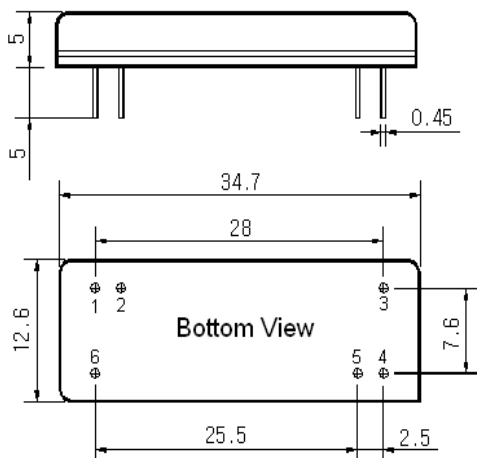
### Typical Performance



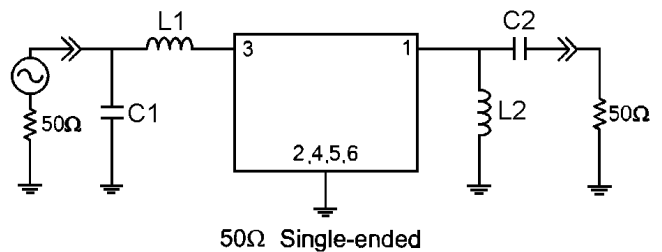
### Specification

Parameter	Unit	Min.	Typ.	Max.
Center Frequency	MHz	69.92	70.00	70.08
Insertion Loss	dB	-	23.80	25.50
2dB Bandwidth	MHz	14.90	15.03	-
25dB Bandwidth	MHz	-	15.78	15.90
40dB Bandwidth	MHz	-	15.95	16.10
Passband Ripple	dB	-	0.82	1.00
Group Delay Variation	nsec	-	70	120
Absolute Delay	usec	-	3.45	-
Ultimate Attenuation	dB	50	53	-
Substrate Material	-	128-LiNbO <sub>3</sub>		
Temperature Coefficient	ppm/°C	-72		

### Package Dimension



### Matching Configuration



L1=120nH, L2=120nH, C1=16pF, C2=82pF  
 Source / Load Impedance = 50Ω  
 Ambient Temperature = 25°C

Rev.0 090915

