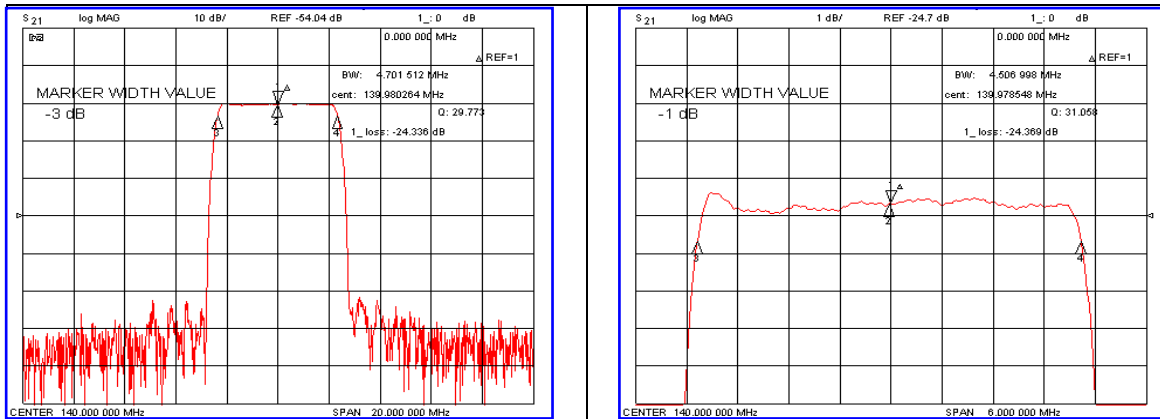


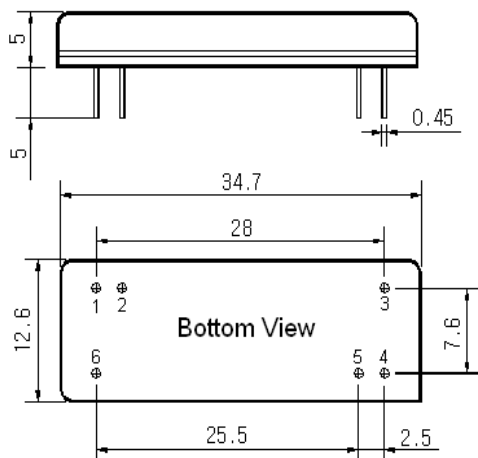
Typical Performance



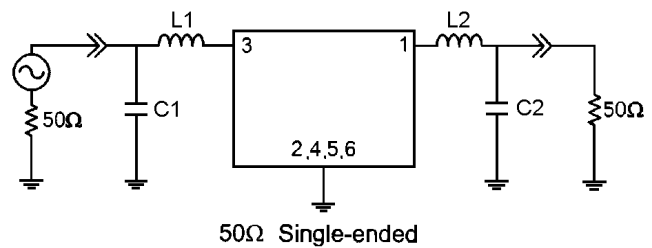
Specification

Parameter	Unit	Min.	Typ.	Max.
Center Frequency	MHz	139.90	140.00	140.10
Insertion Loss	dB	-	24.50	26.50
2dB Bandwidth	MHz	4.52	4.62	-
25dB Bandwidth	MHz	-	5.32	5.40
40dB Bandwidth	MHz	-	5.50	5.60
Passband Ripple	dB	-	0.55	1.00
Group Delay Variation	nsec	-	110	200
Absolute Delay	usec	-	4.51	-
Ultimate Attenuation	dB	50	53	-
Substrate Material	-	112-LT		
Temperature Coefficient	ppm/°C	-20		

Package Dimension



Matching Configuration



L1=22nH, L2=15nH, C1=33pF C2=33pF
 Source / Load Impedance = 50Ω
 Ambient Temperature = 25°C

Rev.0 080826

