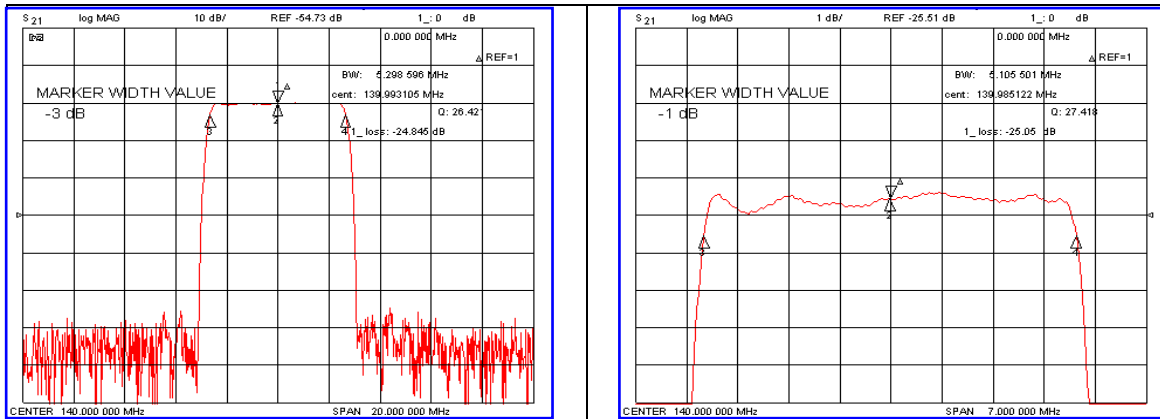


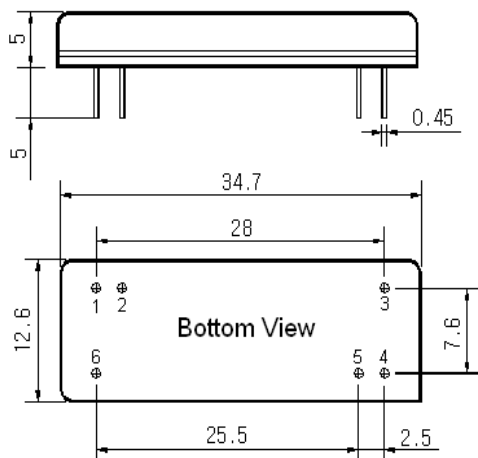
Typical Performance



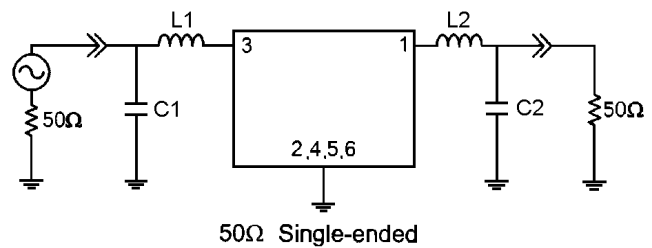
Specification

Parameter	Unit	Min.	Typ.	Max.
Center Frequency	MHz	139.90	140.00	140.10
Insertion Loss	dB	-	25.00	27.00
2dB Bandwidth	MHz	5.10	5.21	-
25dB Bandwidth	MHz	-	5.92	6.00
40dB Bandwidth	MHz	-	6.10	6.20
Passband Ripple	dB	-	0.60	1.00
Group Delay Variation	nsec	-	100	200
Absolute Delay	usec	-	4.51	-
Ultimate Attenuation	dB	50	55	-
Substrate Material	-	112-LiTaO ₃		
Temperature Coefficient	ppm/°C	-20		

Package Dimension



Matching Configuration



L1=27nH, L2=15nH, C1=33pF C2=33pF
 Source / Load Impedance = 50Ω
 Ambient Temperature = 25°C

Rev.0 090826

