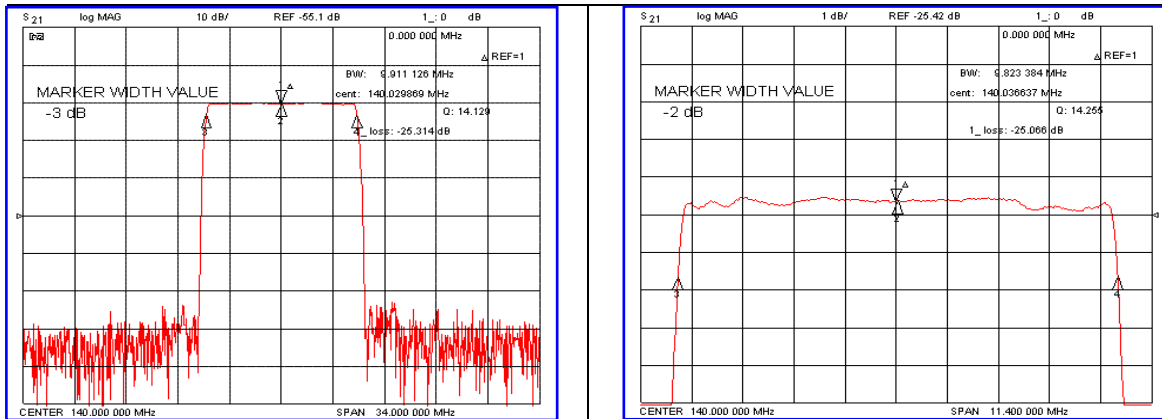


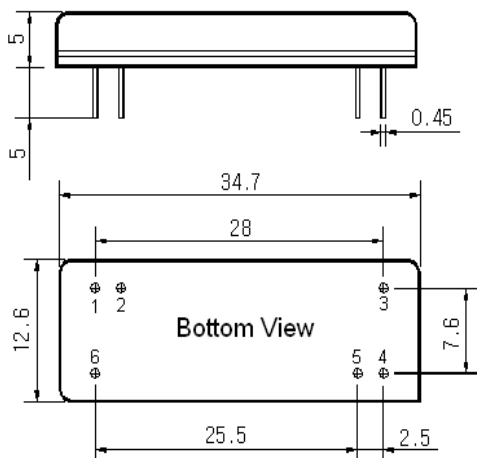
Typical Performance



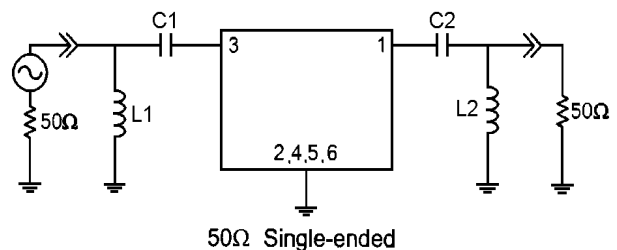
Specification

Parameter	Unit	Min.	Typ.	Max.
Center Frequency	MHz	139.90	140.00	140.10
Insertion Loss	dB	-	25.50	27.00
2dB Bandwidth	MHz	9.78	9.82	-
25dB Bandwidth	MHz	-	10.58	10.65
40dB Bandwidth	MHz	-	10.78	-
Passband Ripple	dB	-	0.50	1.00
Group Delay Variation	nsec	-	100	200
Absolute Delay	usec	-	4.43	-
Ultimate Attenuation	dB	50	53	-
Substrate Material	-	112-LiTaO ₃		
Temperature Coefficient	ppm/°C	-20		

Package Dimension



Matching Configuration



L1=39nH, L2=39nH, C1=91pF, C2=91pF
 Source / Load Impedance = 50Ω
 Ambient Temperature = 25°C

Rev.0 100518

