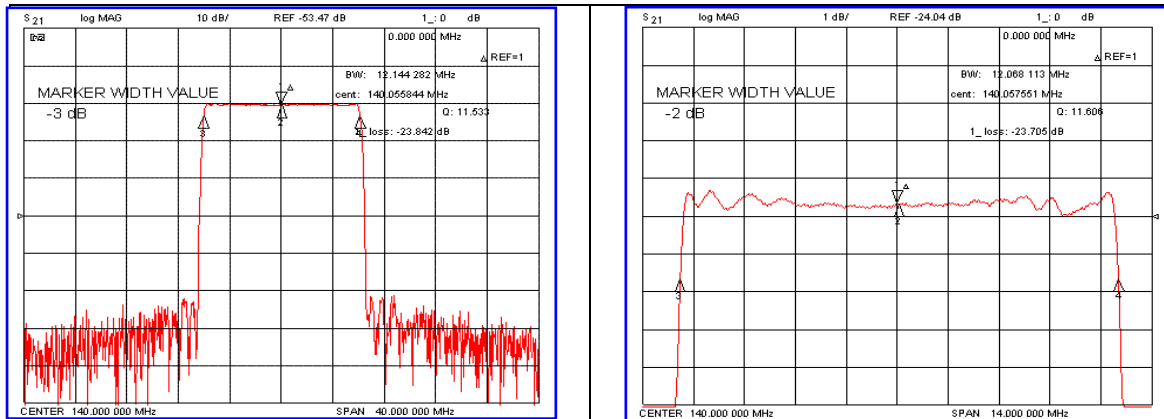


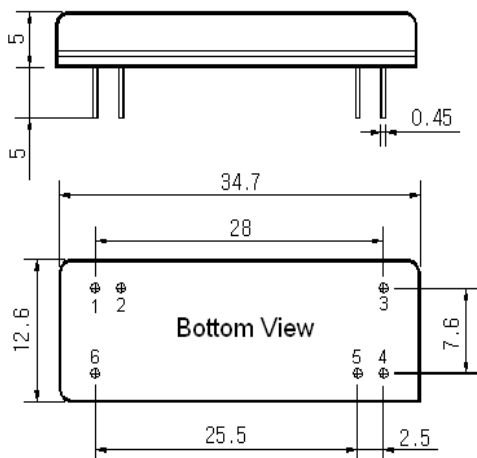
### Typical Performance



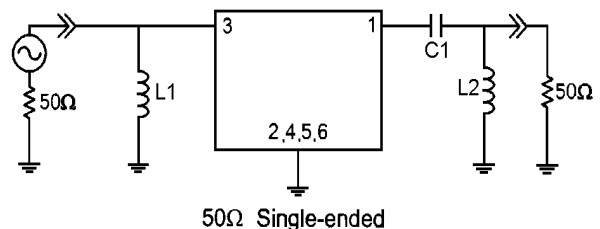
### Specification

Parameter	Unit	Min.	Typ.	Max.
Center Frequency	MHz	139.90	140.00	140.10
Insertion Loss	dB	-	24.00	25.50
2dB Bandwidth	MHz	11.98	12.06	-
25dB Bandwidth	MHz	-	12.78	12.85
40dB Bandwidth	MHz	-	12.95	-
Passband Ripple	dB	-	0.65	1.00
Group Delay Variation	nsec	-	100	200
Absolute Delay	usec	-	4.25	-
Ultimate Attenuation	dB	50	52	-
Substrate Material	-	112-LiTaO <sub>3</sub>		
Temperature Coefficient	ppm/°C	-20		

### Package Dimension



### Matching Configuration



L1=22nH, L2=22nH, C1=300pF  
 Source / Load Impedance = 50Ω  
 Ambient Temperature = 25°C

Rev.0 100518

