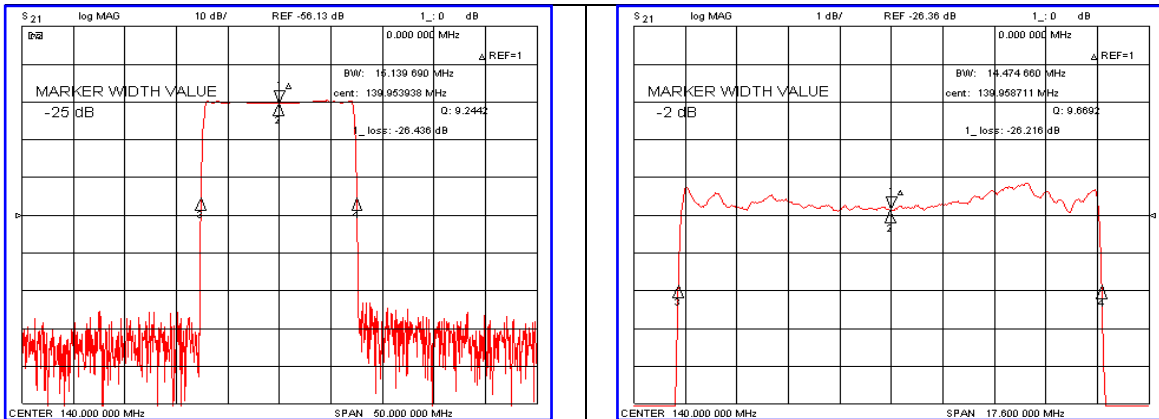


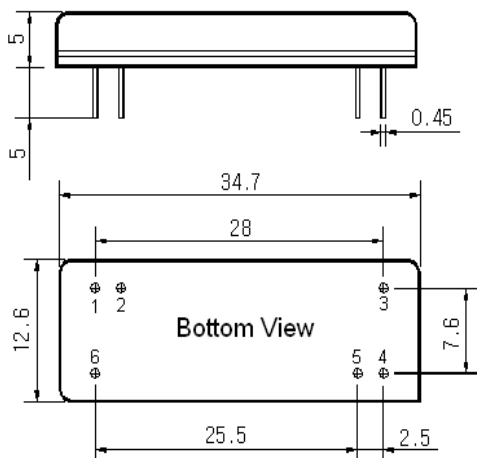
Typical Performance



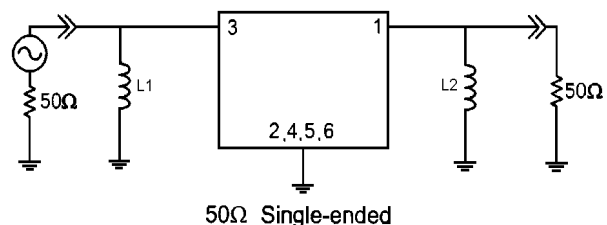
Specification

Parameter	Unit	Min.	Typ.	Max.
Center Frequency	MHz	139.90	140.00	140.10
Insertion Loss	dB	-	26.50	28.0
2dB Bandwidth	MHz	14.35	14.47	-
25dB Bandwidth	MHz	-	15.13	15.25
40dB Bandwidth	MHz	-	15.32	15.45
Passband Ripple	dB	-	0.85	1.10
Group Delay Variation	nsec	-	70	150
Absolute Delay	usec	-	4.39	-
Ultimate Attenuation	dB	50	53	-
Substrate Material	-	112-LiTaO ₃		
Temperature Coefficient	ppm/°C	-20		

Package Dimension



Matching Configuration



L1=22nH, L2=22nH
 Source / Load Impedance = 50Ω
 Ambient Temperature = 25°C

Rev.0 091127

