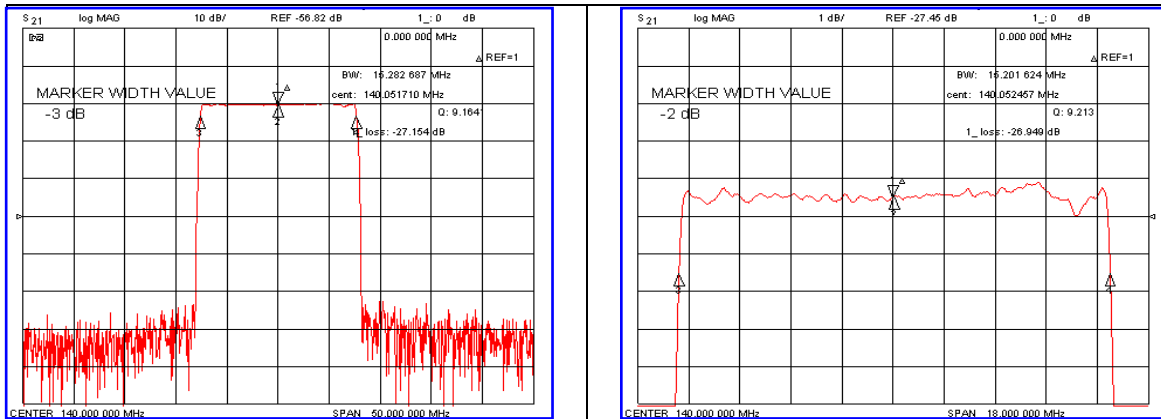


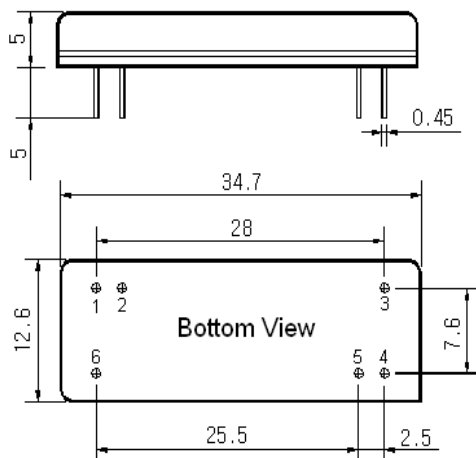
Typical Performance



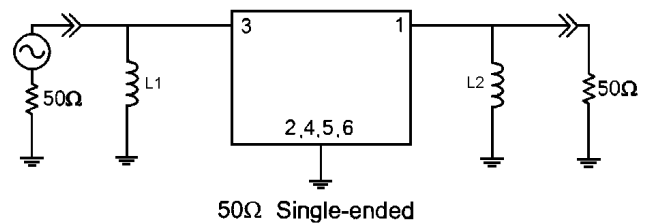
Specification

| Parameter | Unit | Min. | Typ. | Max. |
|-------------------------|--------|------------------------|--------|--------|
| Center Frequency | MHz | 139.90 | 140.00 | 140.10 |
| Insertion Loss | dB | - | 27.20 | 29.00 |
| 2dB Bandwidth | MHz | 15.10 | 15.20 | - |
| 25dB Bandwidth | MHz | - | 15.94 | 16.05 |
| 40dB Bandwidth | MHz | - | 16.12 | 16.30 |
| Passband Ripple | dB | - | 0.89 | 1.10 |
| Group Delay Variation | nsec | - | 80 | 160 |
| Absolute Delay | usec | - | 4.51 | - |
| Ultimate Attenuation | dB | 50 | 53 | - |
| Substrate Material | - | 112-LiTaO ₃ | | |
| Temperature Coefficient | ppm/°C | -20 | | |

Package Dimension



Matching Configuration



L1=22nH, L2=22nH,
Source / Load Impedance = 50Ω
Ambient Temperature = 25°C

Rev.0 090902

