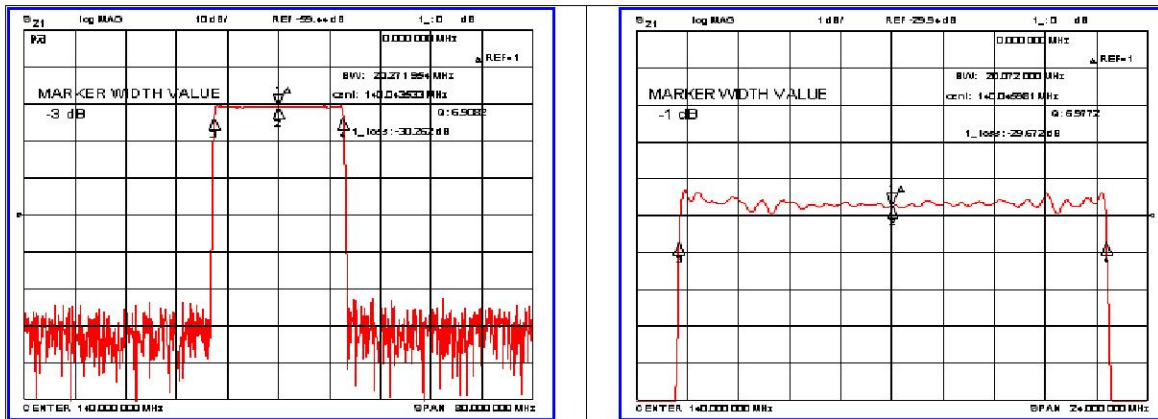


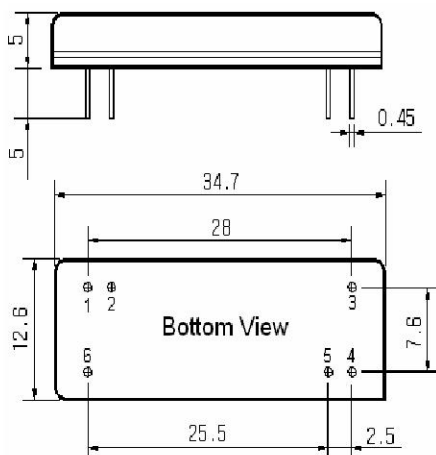
Typical Performance



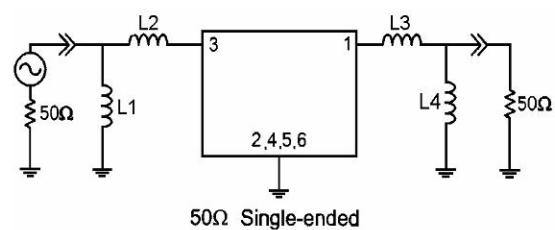
Specification

Parameter	Unit	Min.	Typ.	Max.
Center Frequency	MHz	139.85	140.00	140.15
Insertion Loss	dB	-	30.50	32.00
1dB Bandwidth	MHz	-	20.07	-
3dB Bandwidth	MHz	20.10	20.27	-
40dB Bandwidth	MHz	-	21.20	21.40
Passband Ripple	dB	-	0.68	1.00
Group Delay Variation	nsec	-	50	100
Absolute Delay	µsec	-	3.94	-
Ultimate Attenuation	dB	48	52	-
Substrate Material	-	112-LiTaO ₃		
Temperature Coefficient	ppm/°C	-20		

Package Dimension



Matching Configuration



L1=L4=27nH, L2=5.6nH, L3=10nH
 Source / Load Impedance = 50Ω
 Ambient Temperature = 25°C

Rev0. 080211

