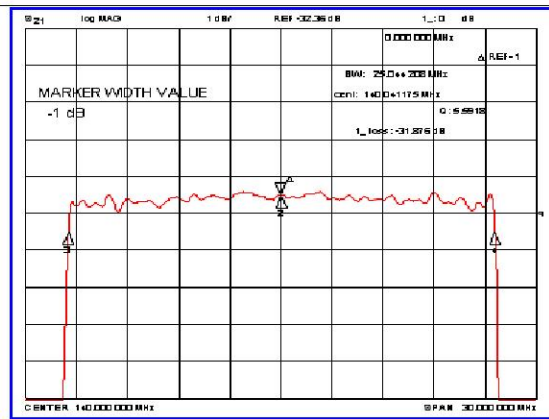
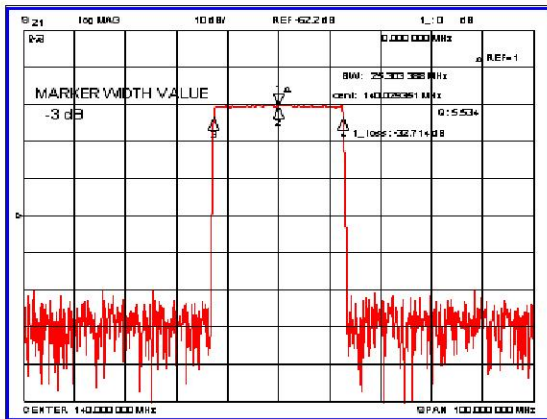


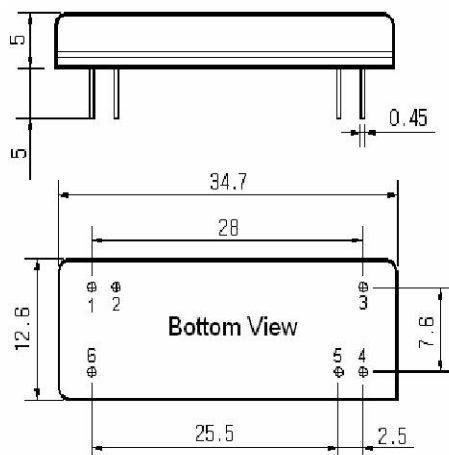
Typical Performance



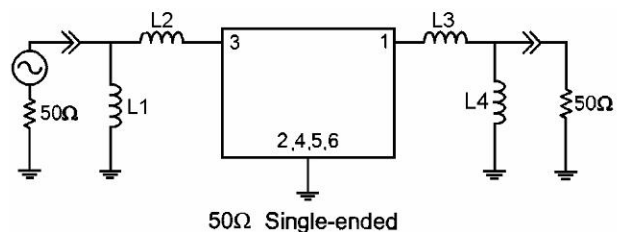
Specification

Parameter	Unit	Min.	Typ.	Max.
Center Frequency	MHz	139.85	140.00	140.15
Insertion Loss	dB	-	32.74	35.00
1dB Bandwidth	MHz	-	25.04	-
3dB Bandwidth	MHz	25.10	25.30	-
40dB Bandwidth	MHz	-	26.40	26.60
Passband Ripple	dB	-	0.60	1.00
Group Delay Variation	nsec	-	30	50
Absolute Delay	µsec	-	3.80	-
Ultimate Attenuation	dB	48	50	-
Substrate Material	-	112-LiTaO ₃		
Temperature Coefficient	ppm/°C	-20		

Package Dimension



Matching Configuration



L1=27nH, L2=L3=12nH, L4=33nH
 Source / Load Impedance = 50Ω
 Ambient Temperature = 25°C

Rev0. 080211

