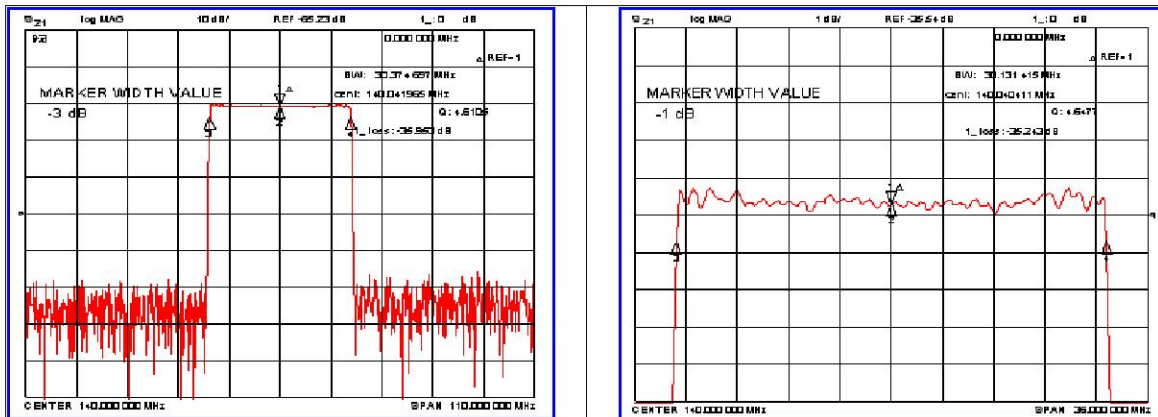


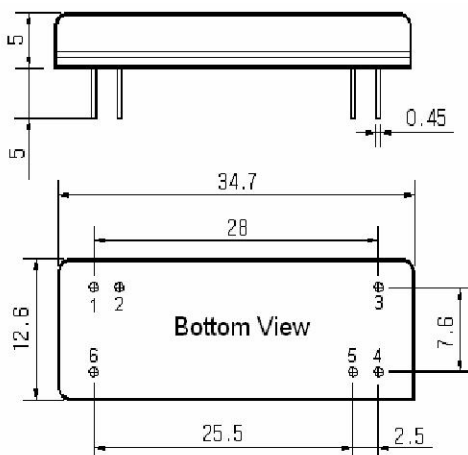
## Typical Performance



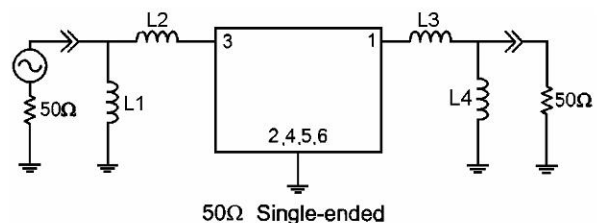
## Specification

Parameter	Unit	Min.	Typ.	Max.
Center Frequency	MHz	139.85	140.00	140.15
Insertion Loss	dB	-	35.95	37.50
1dB Bandwidth	MHz	-	30.13	-
3dB Bandwidth	MHz	30.10	30.37	-
40dB Bandwidth	MHz	-	31.55	31.70
Passband Ripple	dB	-	0.65	1.00
Group Delay Variation	nsec	-	30	50
Absolute Delay	µsec	-	3.54	-
Ultimate Attenuation	dB	45	47	-
Substrate Material	-	112-LiTaO <sub>3</sub>		
Temperature Coefficient	ppm/°C	-20		

## Package Dimension



## Matching Configuration



L1=33nH, L2=L3=10nH, L4=39nH  
 Source / Load Impedance = 50Ω  
 Ambient Temperature = 25°C

Rev0. 080211

