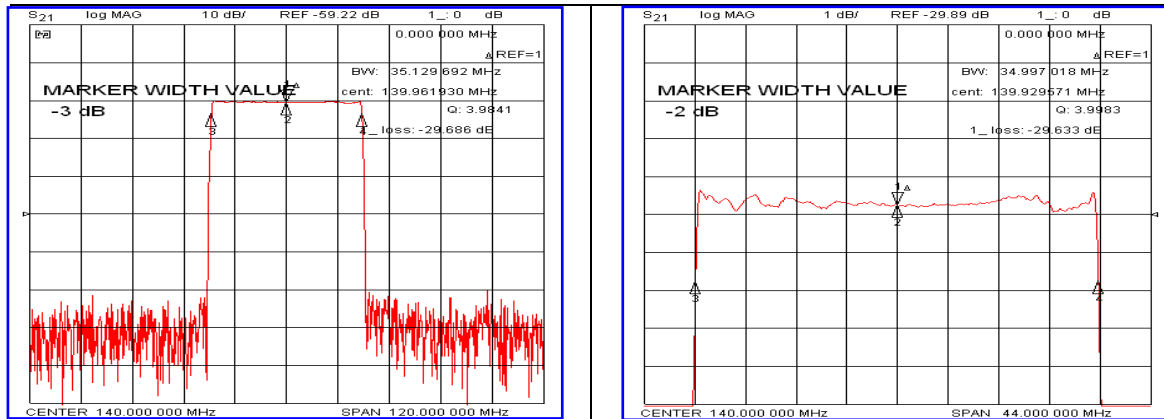


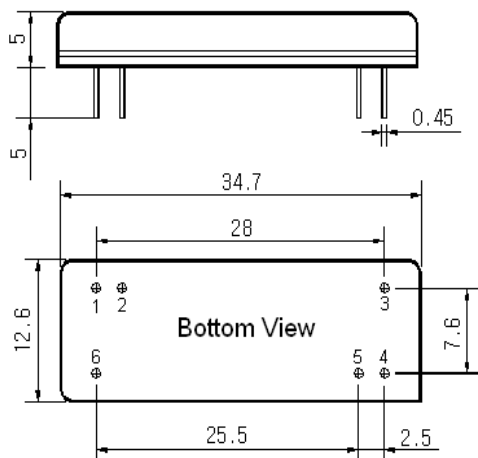
Typical Performance



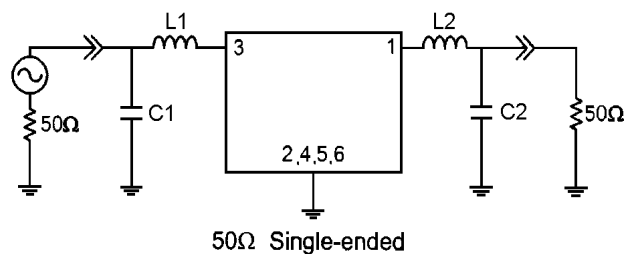
Specification

Parameter	Unit	Min.	Typ.	Max.
Center Frequency	MHz	139.85	140.00	140.15
Insertion Loss	dB	-	29.70	32.00
2dB Bandwidth	MHz	34.80	34.99	-
25dB Bandwidth	MHz	-	36.25	36.35
40dB Bandwidth	MHz	-	36.60	36.70
Passband Ripple	dB	-	0.70	1.20
Group Delay Variation	nsec	-	30	60
Absolute Delay	usec	-	2.30	-
Ultimate Attenuation	dB	47	50	-
Substrate Material	-	128-LiNbO ₃		
Temperature Coefficient	ppm/°C	-72		

Package Dimension



Matching Configuration



L1=12nH, L2=56nH, C1=16pF, C2=18pF
 Source / Load Impedance = 50Ω
 Ambient Temperature = 25°C

Rev.0 120524

