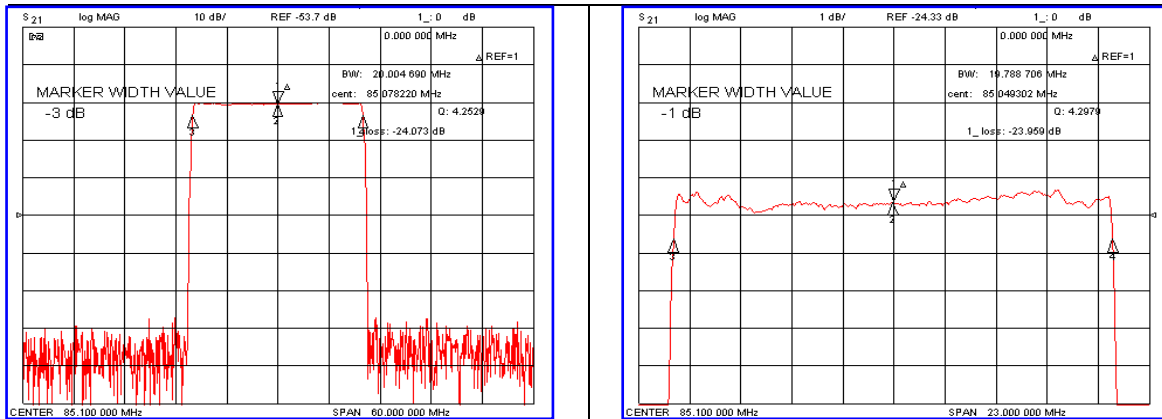


### Typical Performance

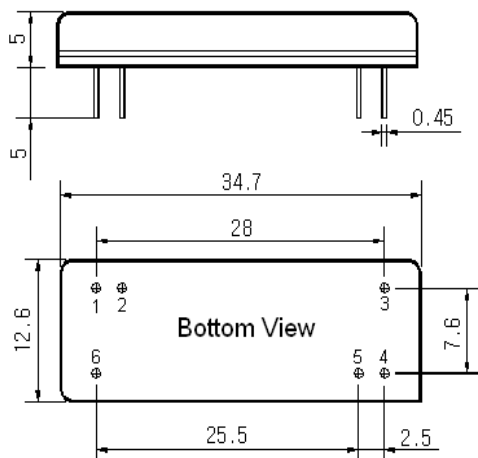


### Specification

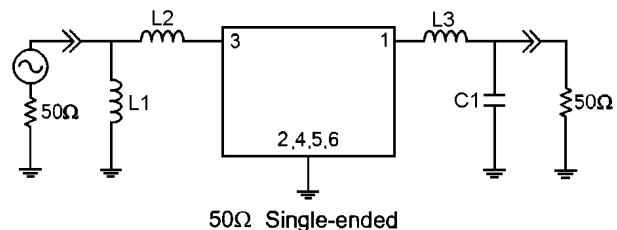
Parameter	Unit	Min.	Typ.	Max.
Center Frequency	MHz	-	85.10	-
Insertion Loss	dB	-	24.07	26.00
1dB Bandwidth	MHz	19.70	19.78	-
3dB Bandwidth	MHz	-	20.00	-
55dB Bandwidth	MHz	-	21.07	21.20
Passband Ripple(Fc±9.42MHz)	dB	-	0.59	1.00
Group Delay Variation(Fc±9.42MHz)	nsec	-	45	80
Absolute Delay	usec	-	3.30	-
Ultimate Attenuation	dB	57	60	-
Substrate Material	-	128-LiNbO <sub>3</sub>		
Temperature Coefficient	ppm/°C	-72		

측정기 설정 - Input Power +10dBm, Smoothing 1%

### Package Dimension



### Matching Configuration



L1=82H, L2=27nH, L3=68nH, C1=15pF  
 Source / Load Impedance = 50Ω  
 Ambient Temperature = 25°C

Rev.0 090910

