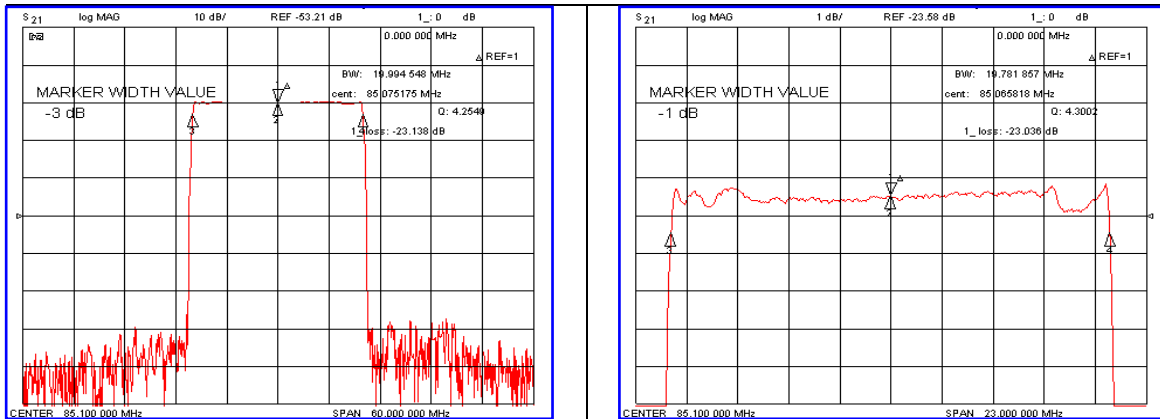


Typical Performance

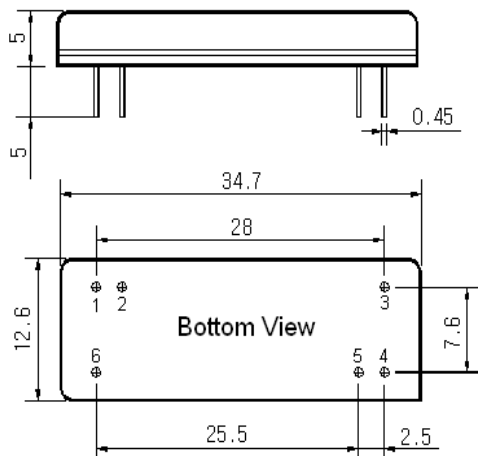


Specification

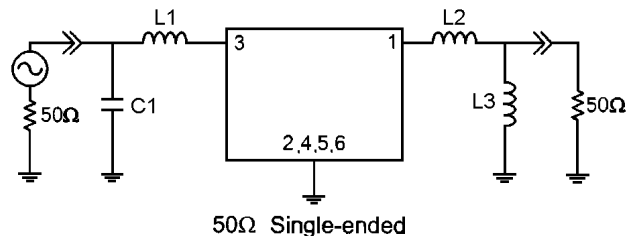
| Parameter | Unit | Min. | Typ. | Max. |
|-----------------------------------|--------|------------------------|-------|-------|
| Center Frequency | MHz | - | 85.10 | - |
| Insertion Loss | dB | - | 23.50 | 25.00 |
| 1dB Bandwidth | MHz | 19.70 | 19.78 | - |
| 3dB Bandwidth | MHz | - | 19.99 | - |
| 55dB Bandwidth | MHz | - | 21.05 | 21.20 |
| Passband Ripple(Fc±9.42MHz) | dB | - | 0.75 | 1.20 |
| Group Delay Variation(Fc±9.42MHz) | nsec | - | 50 | 80 |
| Absolute Delay | usec | - | 3.30 | - |
| Ultimate Attenuation(계측기 설정) | dB | 57 | 60 | - |
| Substrate Material | - | 128-LiNbO ₃ | | |
| Temperature Coefficient | ppm/°C | -72 | | |

계측기 설정 - Input Power +10dBm, Smoothing 1%

Package Dimension



Matching Configuration



L1=120nH, L2=22nH, L3=150nH, C1=36pF
 Source / Load Impedance = 50Ω
 Ambient Temperature = 25°C

Rev.0 090827

