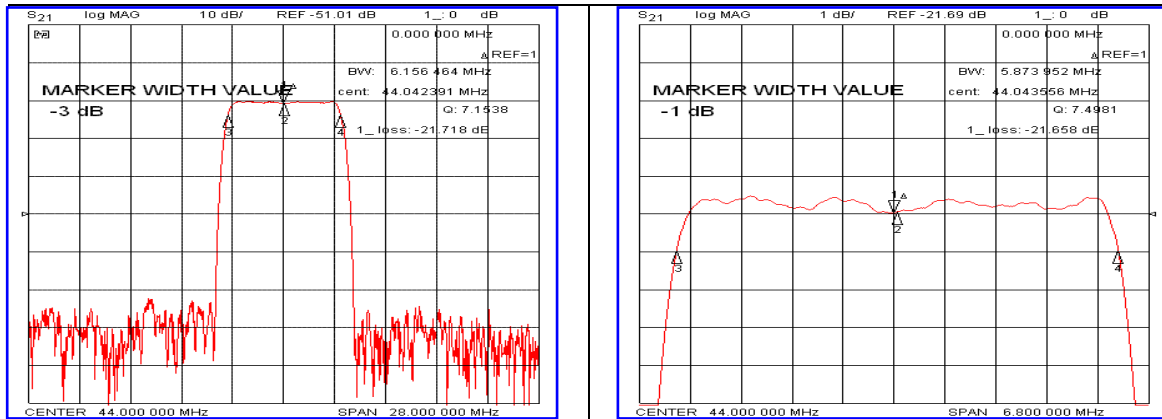


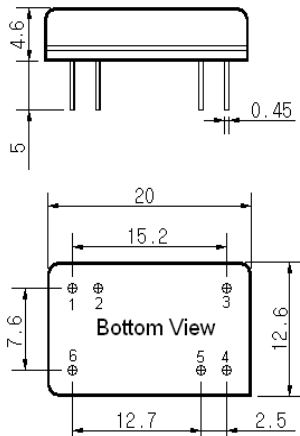
Typical Performance



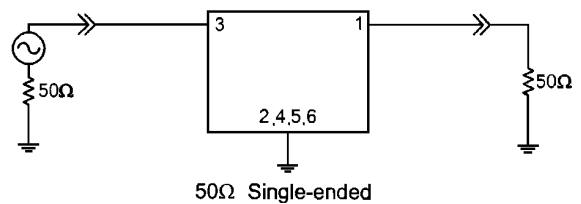
Specification

Parameter	Unit	Min.	Typ.	Max.
Center Frequency	MHz	43.94	44.00	44.06
Insertion Loss	dB	-	22.00	24.00
1dB Bandwidth	MHz	5.60	5.87	-
3dB Bandwidth	MHz	-	6.15	-
40dB Bandwidth	MHz	-	7.45	7.60
Passband Ripple	dB	-	0.55	1.00
Absolute Delay	usec	-	2.24	-
Ultimate Attenuation	dB	-	53	-
Relative Attenuation				
39.75MHz	dB	-	55	-
47.25MHz Point	dB	-	6	-
Temperature Coefficient	ppm/°C		-72	

Package Dimension



Matching Configuration



No matching Required
Source / Load Impedance = 50Ω
Ambient Temperature = 25°C

Rev.0 121012

