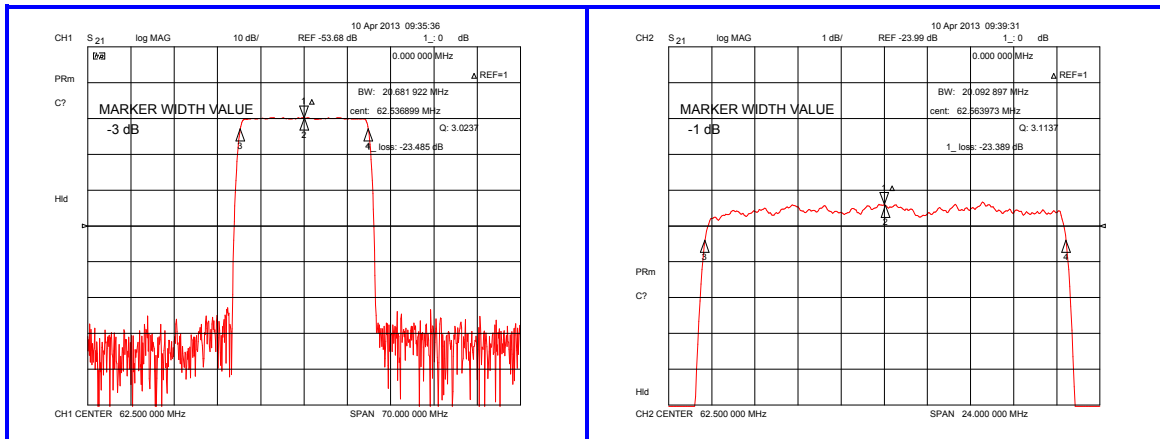


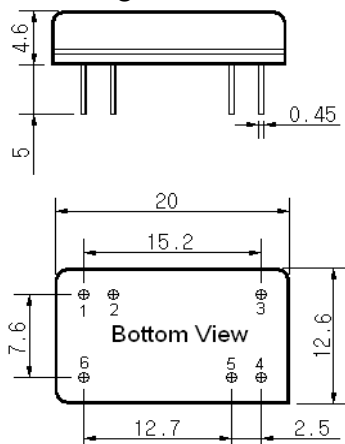
### Typical Performance



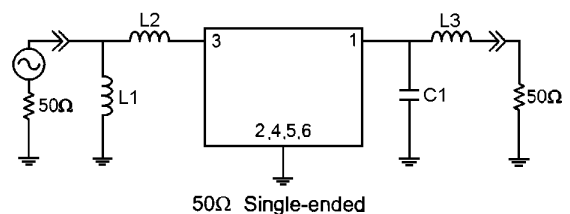
### Specification

Parameter	Unit	Min.	Typ.	Max.
Center Frequency	MHz	-	62.50	-
Insertion Loss	dB	-	23.48	25.00
1dB Bandwidth	MHz	20.00	20.09	-
3dB Bandwidth	MHz	-	22.68	-
40dB Bandwidth	MHz	-	22.90	23.00
Passband Ripple(Fc±9.22MHz)	dB	-	0.50	1.00
Ultimate Attenuation	dB	48	52	-
Absolute Delay	μsec	-	1.65	1.8
Substrate Material	-	128-LiNbO <sub>3</sub>		
Temperature Coefficient	ppm/°C	-72		
Package	mm	20 X 12 (DIP)		

### Package Dimension



### Matching Configuration



L1=150nH, L2=220nH, L3=150nH, C1=11pF  
 Source / Load Impedance = 50Ω  
 Ambient Temperature = 25°C

Rev 0. 130410

