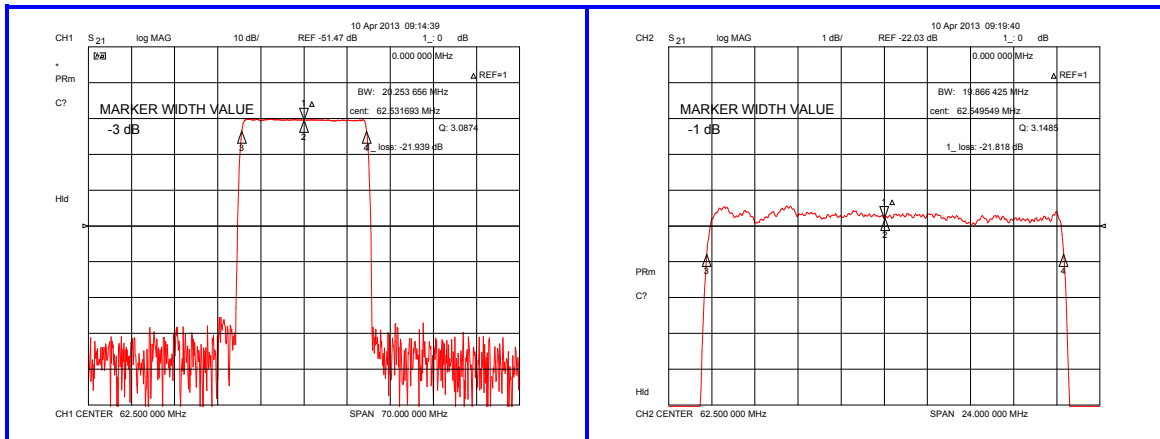


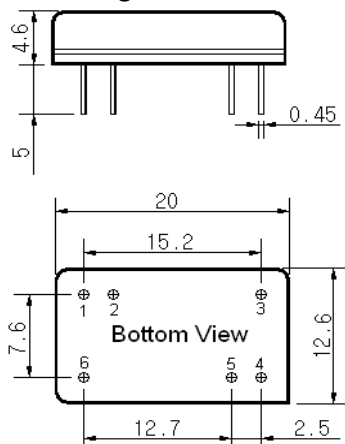
Typical Performance



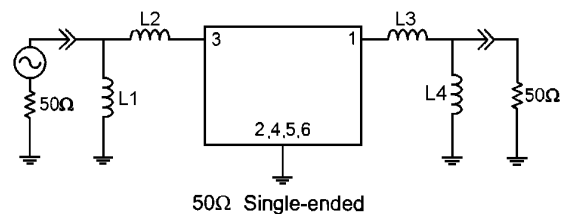
Specification

Parameter	Unit	Min.	Typ.	Max.
Center Frequency	MHz	-	62.50	-
Insertion Loss	dB	-	22.00	24.00
1dB Bandwidth	MHz	19.65	19.86	-
3dB Bandwidth	MHz	-	20.25	-
40dB Bandwidth	MHz	-	21.85	22.00
Passband Ripple(Fc±9.22MHz)	dB	-	0.55	1.00
Ultimate Attenuation	dB	48	52	-
Absolute Delay	μsec	-	2.16	2.50
Substrate Material	-	128-LiNbO ₃		
Temperature Coefficient	ppm/°C	-72		
Package	mm	20 X 12 (DIP)		

Package Dimension



Matching Configuration



L1=180nH, L2=180nH, L3=180nH, L4=470nH
 Source / Load Impedance = 50Ω
 Ambient Temperature = 25°C

Rev 0. 130410

