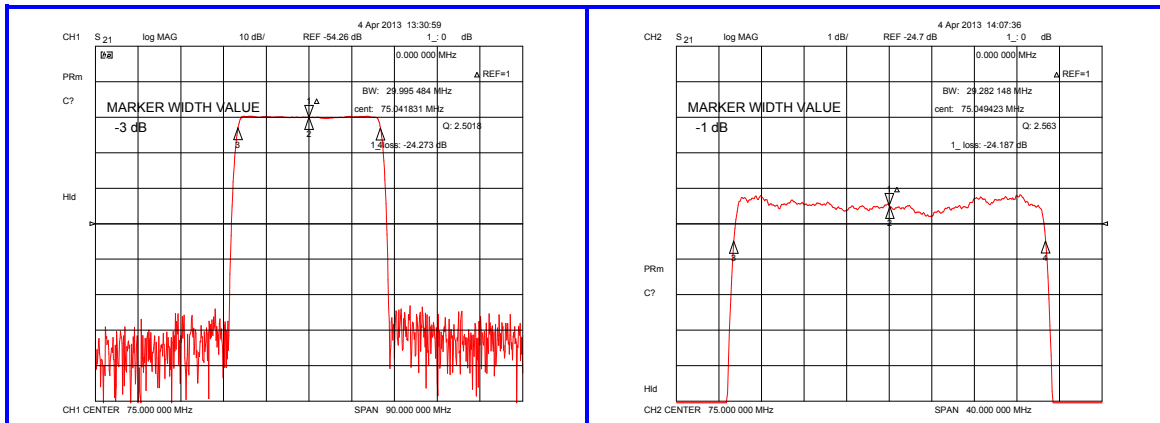


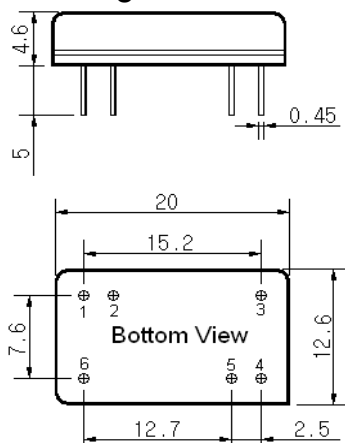
Typical Performance



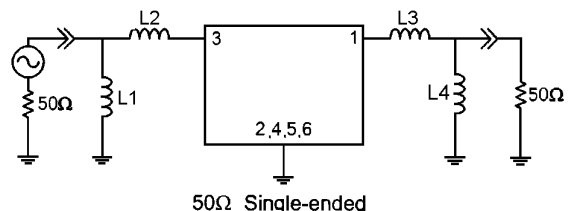
Specification

Parameter	Unit	Min.	Typ.	Max.
Center Frequency	MHz	74.92	75.00	75.08
Insertion Loss	dB	-	24.50	26.00
1dB Bandwidth	MHz	29.18	29.28	-
3dB Bandwidth	MHz	-	29.99	-
40dB Bandwidth	MHz	-	33.20	33.40
Passband Ripple($F_c \pm 13.5$ MHz)	dB	-	0.61	1.00
Ultimate Attenuation	dB	48	52	-
Absolute Delay	μ sec	-	1.5	1.8
Substrate Material	-	128-LiNbO ₃		
Temperature Coefficient	ppm/ $^{\circ}$ C	-72		
Package	mm	20 X 12 (DIP)		

Package Dimension



Matching Configuration



L1=120nH, L2=180nH, L3=100nH, L4=220nH
 Source / Load Impedance = 50 Ω
 Ambient Temperature = 25 $^{\circ}$ C

Rev 0. 130404

