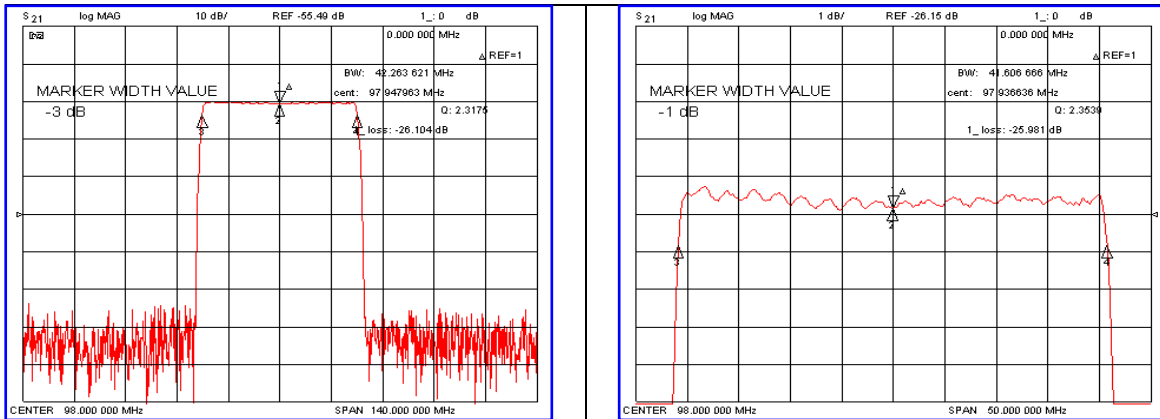


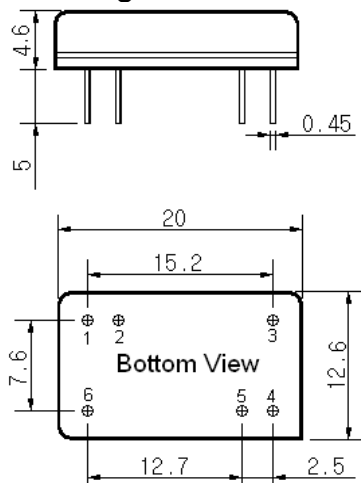
Typical Performance



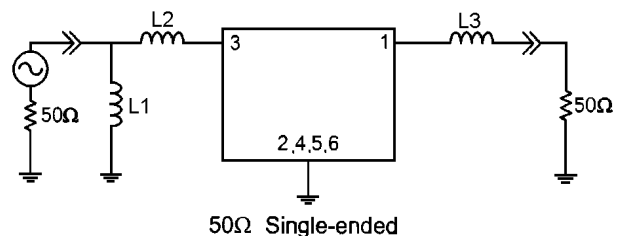
Specification

Parameter	Unit	Min.	Typ.	Max.
Center Frequency	MHz	97.90	98.00	98.10
Insertion Loss	dB	-	26.50	28.00
1dB Bandwidth	MHz	41.40	41.60	-
3dB Bandwidth	MHz	-	42.26	-
40dB Bandwidth	MHz	-	45.40	45.60
Passband Ripple	dB	-	0.65	1.00
Group Delay Variation	nsec	-	30	50
Absolute Delay	μsec	-	1.33	-
Ultimate Attenuation	dB	50	55	-
Substrate Material	-	128- LiNbO ₃		
Temperature Coefficient	ppm/°C	-72		

Package Dimension



Matching Configuration



L1=390nH, L2=100nH, L3=100nH
 Source / Load Impedance = 50Ω
 Ambient Temperature = 25°C

Rev0. 100312

