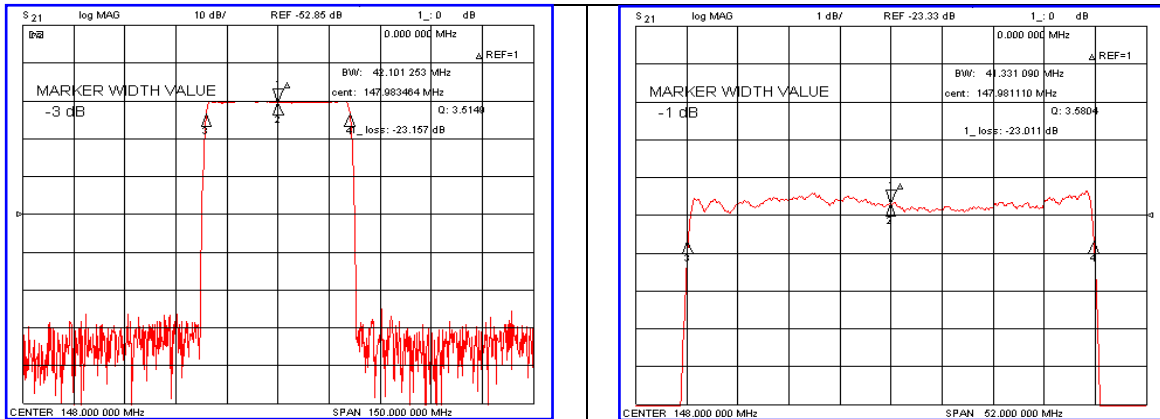


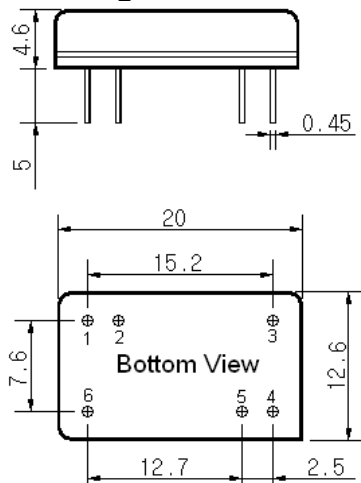
Typical Performance



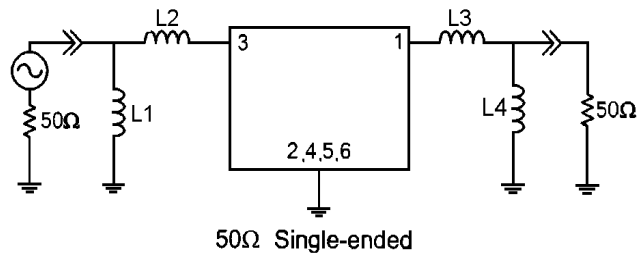
Specification

Parameter	Unit	Min.	Typ.	Max.
Center Frequency	MHz	147.85	148.00	148.15
Insertion Loss	dB	-	23.50	25.50
1dB Bandwidth	MHz	41.00	41.33	-
3dB Bandwidth	MHz	-	42.10	-
40dB Bandwidth	MHz	-	45.40	45.60
Passband Ripple	dB	-	0.60	1.00
Group Delay Variation	nsec	-	20	50
Absolute Delay	μsec	-	1.17	-
Ultimate Attenuation	dB	50	55	-
Substrate Material	-	128- LiNbO ₃		
Temperature Coefficient	ppm/°C	-72		

Package Dimension



Matching Configuration



L1=120nH, L2=68nH, L3=15nH, L4=56nH
 Source / Load Impedance = 50Ω
 Ambient Temperature = 25°C

Rev0. 090910

