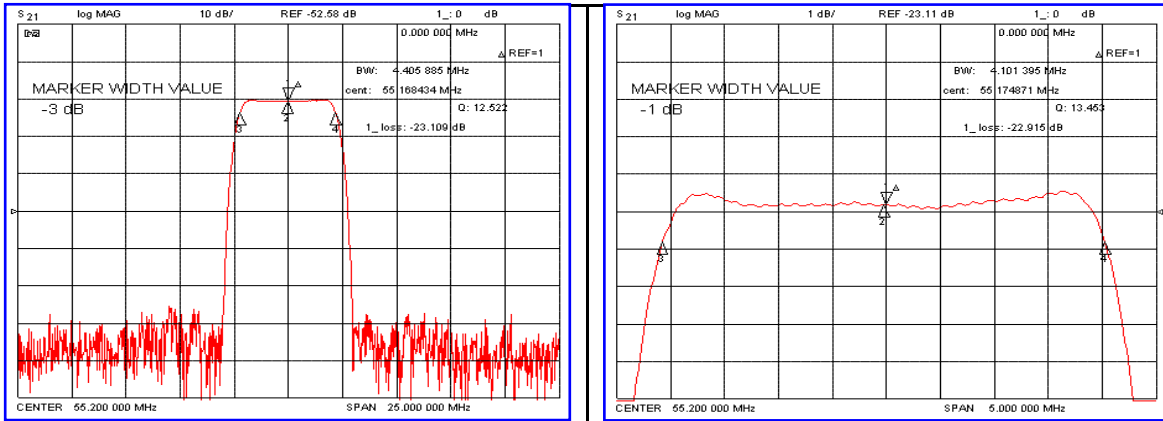


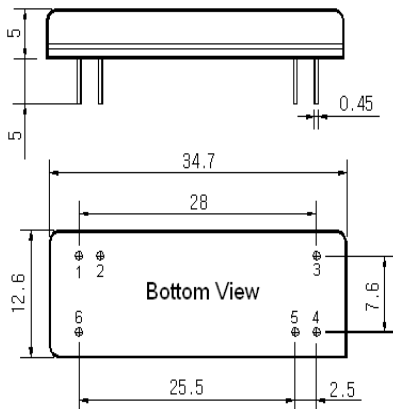
### Typical Performance



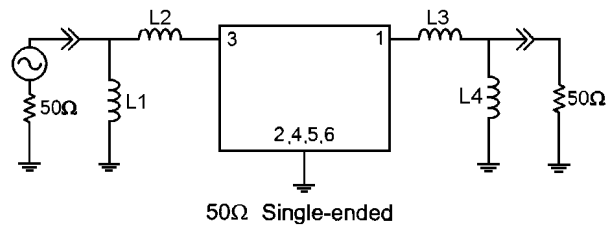
### Specification

Parameter	Unit	Min.	Typ.	Max.
Center Frequency (Fc)	MHz	55.12	55.20	55.28
Insertion Loss	dB	-	23.10	24.50
1dB Bandwidth	MHz	-	4.10	-
3dB Bandwidth	MHz	4.30	4.40	-
20dB Bandwidth	MHz	-	5.31	-
40dB Bandwidth	MHz	-	5.74	5.90
Passband Ripple	dB	-	0.50	1.00
Group Delay Variation	nsec	-	85	120
Absolute Delay	μsec	-	3.65	-
Ultimate Attenuation	dB	50	55	-
Substrate Material	-	LiTaO <sub>3</sub>		
Temperature Coefficient	ppm/°C	-20		

### Package Dimension



### Matching Configuration



L1=270nH, L2=180nH, L3=L4=220nH  
 Source / Load Impedance = 50Ω  
 Ambient Temperature = 25°C

Rev0. 070123

