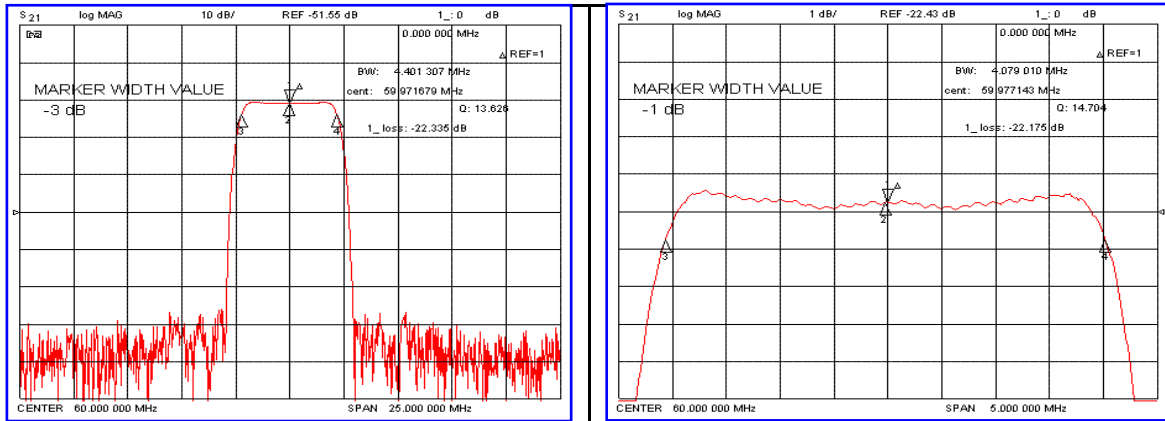


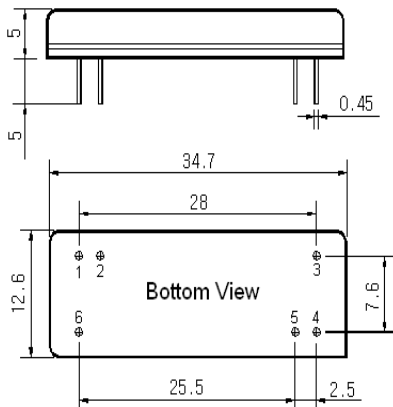
Typical Performance



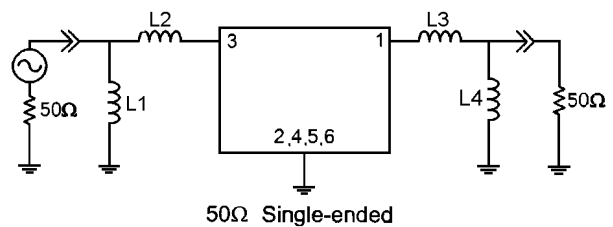
Specification

| Parameter | Unit | Min. | Typ. | Max. |
|-------------------------|--------|--------------------|-------|-------|
| Center Frequency (Fc) | MHz | 59.92 | 60.00 | 60.08 |
| Insertion Loss | dB | - | 22.5 | 24.00 |
| 1dB Bandwidth | MHz | - | 4.07 | - |
| 3dB Bandwidth | MHz | 4.30 | 4.40 | - |
| 20dB Bandwidth | MHz | - | 5.30 | - |
| 40dB Bandwidth | MHz | - | 5.70 | 5.90 |
| Passband Ripple | dB | - | 0.50 | 1.00 |
| Group Delay Variation | nsec | - | 80 | 120 |
| Absolute Delay | μsec | - | 3.58 | - |
| Ultimate Attenuation | dB | 50 | 55 | - |
| Substrate Material | - | LiTaO ₃ | | |
| Temperature Coefficient | ppm/°C | -20 | | |

Package Dimension



Matching Configuration



L1=180nH, L2=150nH, L3=120nH, L4=180nH
 Source / Load Impedance = 50Ω
 Ambient Temperature = 25°C

Rev0. 070123

