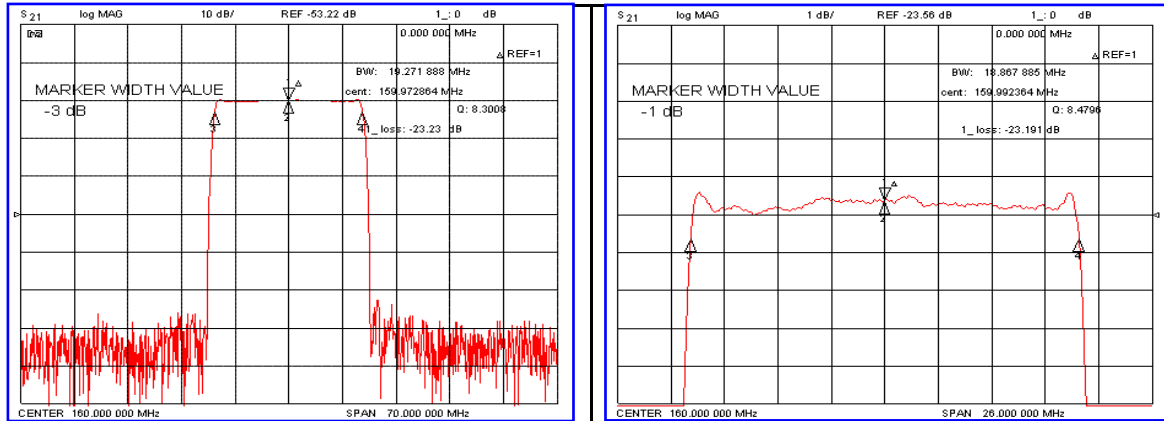


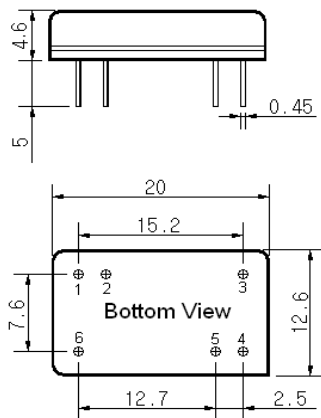
Typical Performance



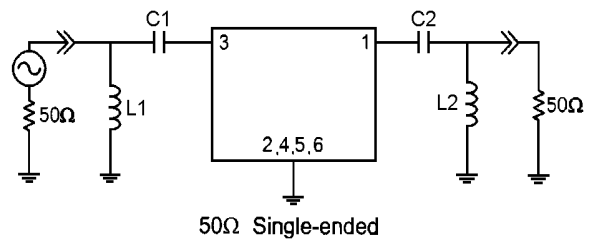
Specification

Parameter	Unit	Min.	Typ.	Max.
Center Frequency (Fc)	MHz	159.85	160.00	160.15
Insertion Loss	dB	-	23.30	25.00
1dB Bandwidth	MHz	-	18.86	-
3dB Bandwidth	MHz	19.00	19.27	-
40dB Bandwidth	MHz	-	21.06	21.30
Passband Ripple	dB	-	0.60	1.00
Group Delay Variation(Fc±9.1MHz)	nsec	-	42	-
Absolute Delay	µsec	-	1.76	-
Ultimate Attenuation	dB	50	55	-
Substrate Material	-	128-LiNbO ₃		
Temperature Coefficient	ppm/°C	-72		

Package Dimension



Matching Configuration



L1=68nH, L2=56nH, C1=C2=47pF
 Source / Load Impedance = 50Ω
 Ambient Temperature = 25°C

08/17/2006

