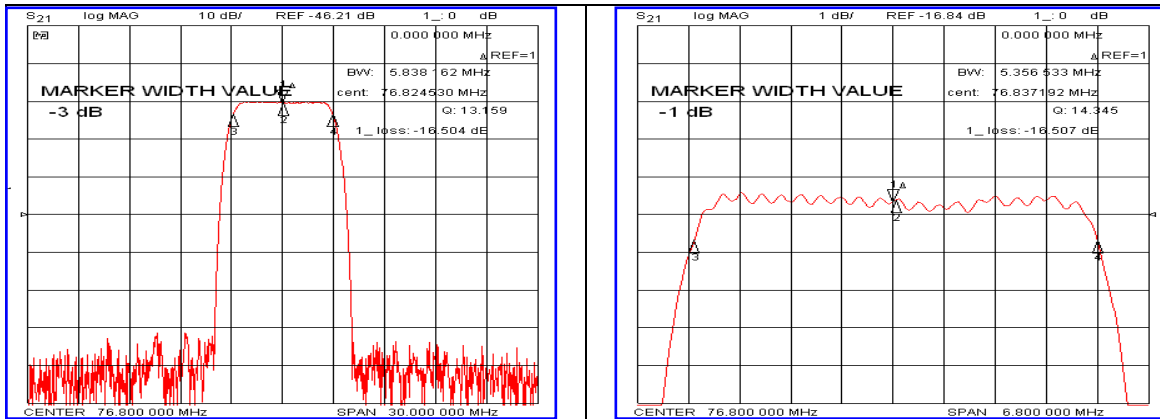


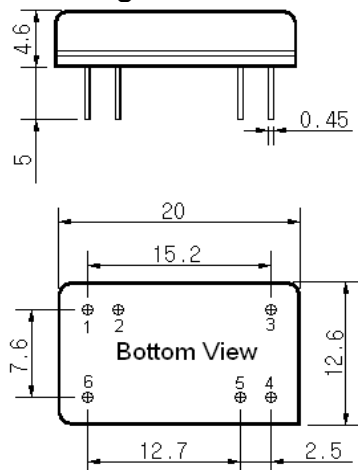
Typical Performance



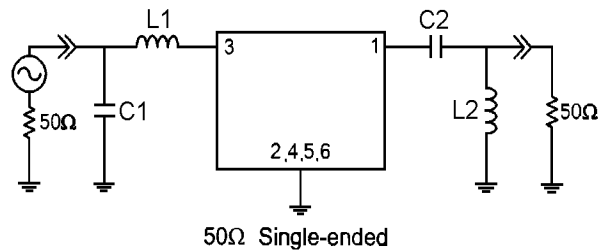
Specification

Parameter	Unit	Min.	Typ.	Max.
Center Frequency	MHz	76.70	76.80	76.90
Insertion Loss	dB	-	16.60	18.50
1dB Bandwidth	MHz	-	5.35	-
3dB Bandwidth	MHz	5.60	5.83	-
40dB Bandwidth	MHz	-	7.75	7.90
Passband Ripple	dB	-	0.55	1.00
Group Delay Variation	nsec	-	120	250
Absolute Delay	µsec	-	1.91	-
Ultimate Attenuation	dB	50	55	-
Substrate Material	-	128-LiNbO ₃		
Temperature Coefficient	ppm/°C	-72		

Package Dimension



Matching Configuration



L1=27nH, L2=220nH, C1=27pF, C2=150pF
 Source / Load Impedance = 50Ω
 Ambient Temperature = 25°C

Rev0. 101202

