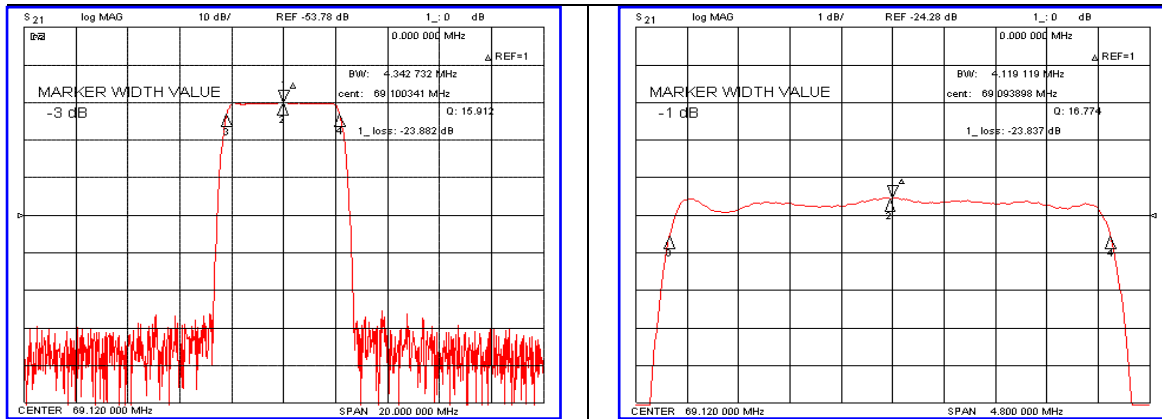


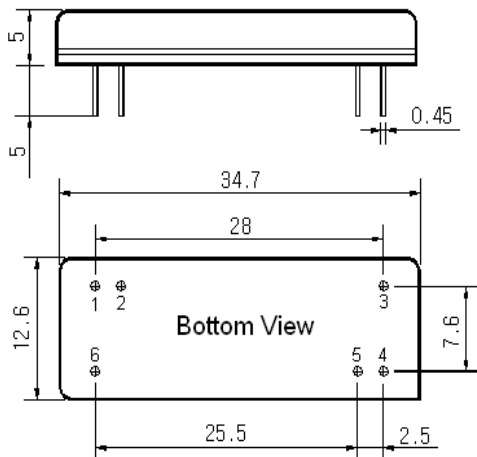
Typical Performance



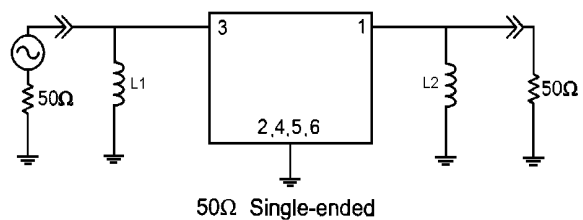
Specification

Parameter	Unit	Min.	Typ.	Max.
Center Frequency	MHz	-	69.12	-
Insertion Loss	dB	-	24.00	25.50
1dB Bandwidth	MHz	4.00	4.11	-
3dB Bandwidth	MHz	-	4.34	4.60
40dB Bandwidth	MHz	-	5.23	5.35
Passband Ripple($F_c \pm 1.92\text{MHz}$)	dB	-	0.50	1.00
Group Delay Variation($F_c \pm 1.92\text{MHz}$)	nsec	-	70	120
Absolute Delay	usec	-	4.52	-
Ultimate Attenuation	dB	50	55	-
Substrate Material	-	112-LiTaO ₃		
Temperature Coefficient	ppm/°C	-20		

Package Dimension



Matching Configuration



L1=120nH, L2=120nH
 Source / Load Impedance = 50Ω
 Ambient Temperature = 25°C

Rev.0 100405

