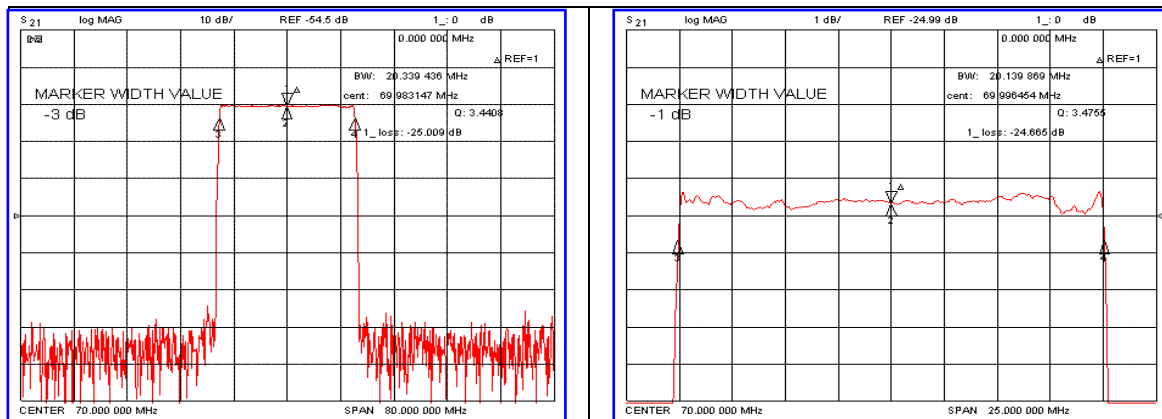


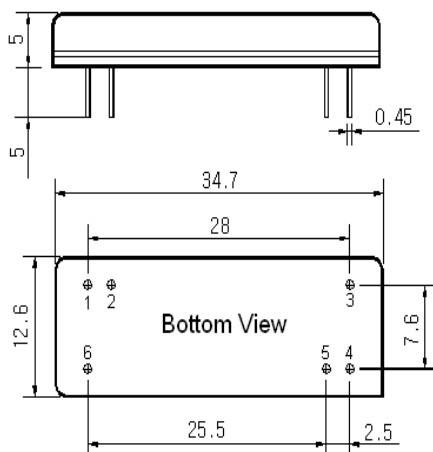
Typical Performance



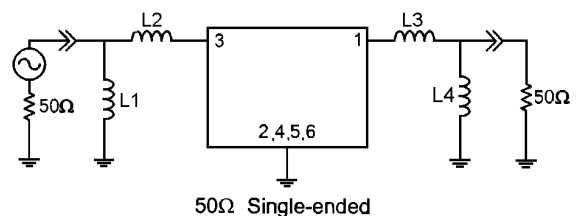
Specification

Parameter	Unit	Min.	Typ.	Max.
Center Frequency	MHz	69.92	70.00	70.08
Insertion Loss	dB	-	25.00	26.50
1dB Bandwidth	MHz	-	20.13	-
3dB Bandwidth	MHz	20.20	20.33	-
40dB Bandwidth	MHz	*-	21.28	21.40
Passband Ripple	dB	-	0.65	1.00
Absolute Delay	μsec	-	3.3	-
Group Delay Variation	dB	-	50	100
Substrate Material	-	128-LiNbO ₃		
Temperature Coefficient	ppm/°C ²	-72		

Package Dimension



Matching Configuration



L1=L4=220nH, L2=L3=68nH
 Source / Load Impedance = 50Ω
 Ambient Temperature = 25°C

Rev0. 070104

