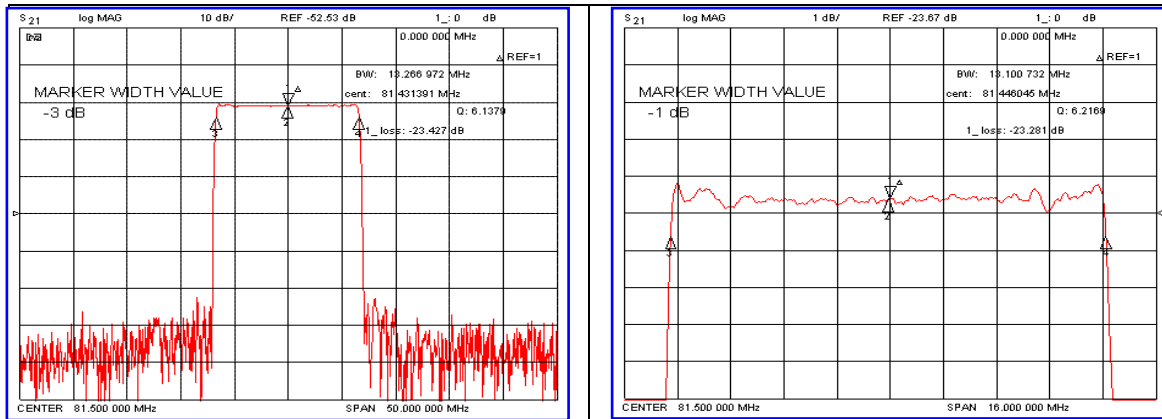


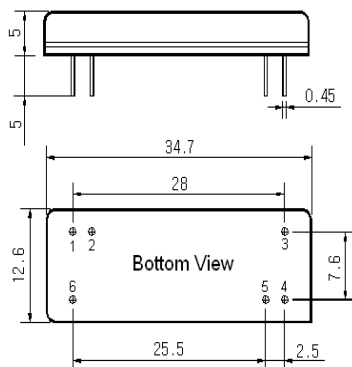
Typical Performance



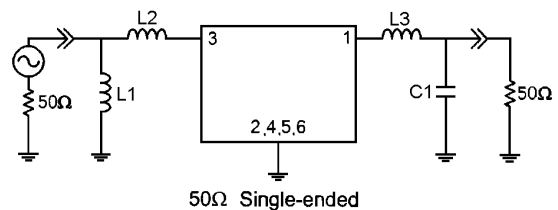
Specification

Parameter	Unit	Min.	Typ.	Max.
Center Frequency	MHz	81.42	81.50	81.58
Insertion Loss	dB	-	23.50	25.00
1dB Bandwidth	MHz	-	13.10	-
3dB Bandwidth	MHz	13.20	13.26	-
Passband Ripple	dB	-	0.80	1.00
Absolute Delay	μsec	-	3.72	-
Out of Band Gain				
1dB @ ± 400KHz	dB	25	26.6	-
1dB @ ± 600KHz	dB	35	50	-
1dB @ ± 1.0MHz	dB	40	50	-
1dB @ ± 5.0MHz	dB	50	55	-
Substrate Material	-	128-LiNbO ₃		
Temperature Coefficient	ppm/°C ²	-72		

Package Dimension



Matching Configuration



L1=120nH, L2=120nH, L3=47nH, C1=39pF
 Source / Load Impedance = 50Ω
 Ambient Temperature = 25°C

Rev0.070112

